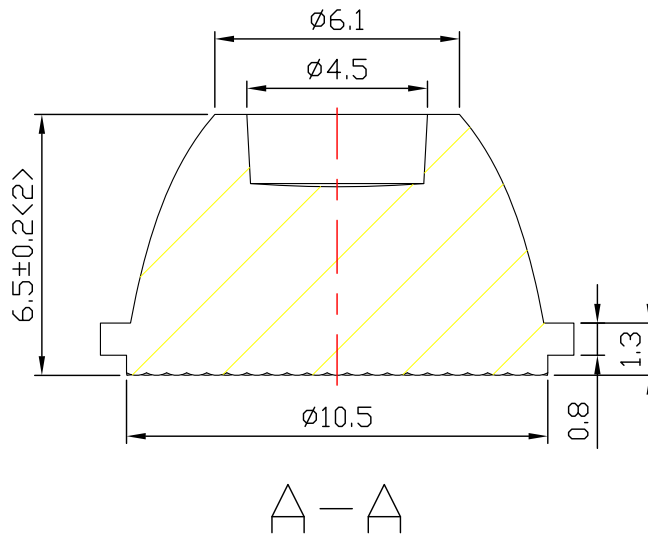
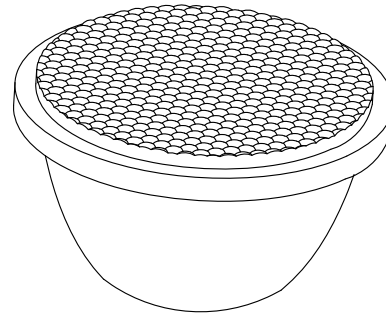
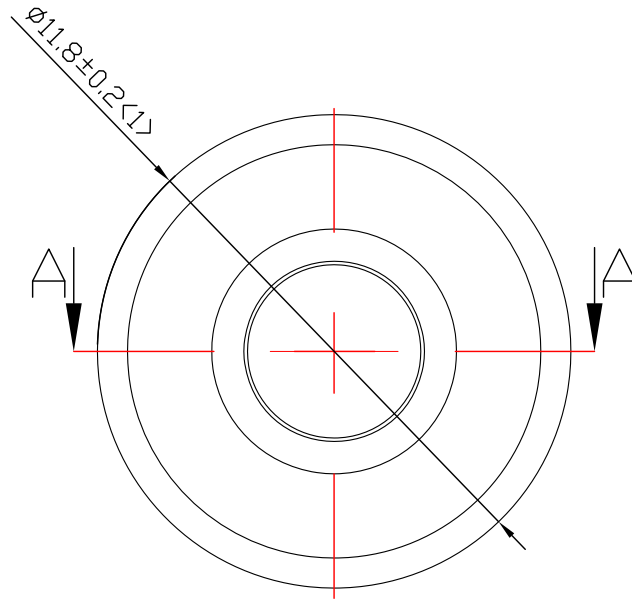


table for unmentioned tolerance in the drawing (unit: mm)			punch angle tolerance in the drawing (unit:degree)		
0-5	5-30	30-120	0-10	10-50	50-120
±0.15	±0.2	±0.5	±1°	±0.5°	±0.3°
120-250	250-400	400-700	120-250	250-360	360 above
±0.8	±1.5	±2	±0.2°	±0.166°	±0.083°

"<" Important size



Light Source	CREE XPE2
PlasticHolder	92.70.104.00
Metal Adaptor	
Design Angle(10%)	100° ±5°
Measured Angle	97° ±5°
Efficiency	

						Material: PMMA				Nata [®] Lighting Co., Ltd	
Mark	Amended Times	Amended Content			Signature	Amended Date				Customer Item	
Control Version	A0	Design Version	K0	Client Version	Proportion 1:1				Customer Code	NT	
Designer		Drawing by		View					Product Number		
Technology		Auditor		Page	Total Page				Product Name	CR01D012100AP	
Approval		Date	2018.10.11								