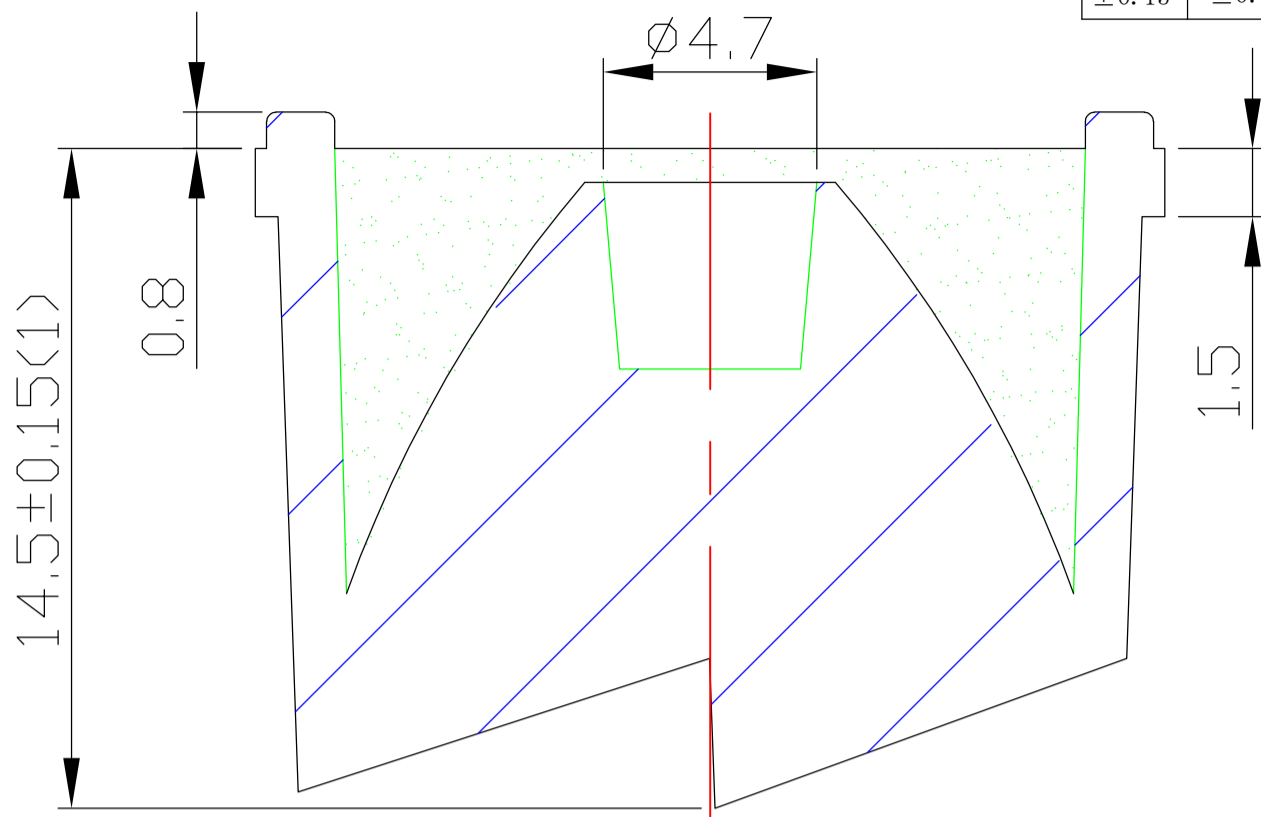
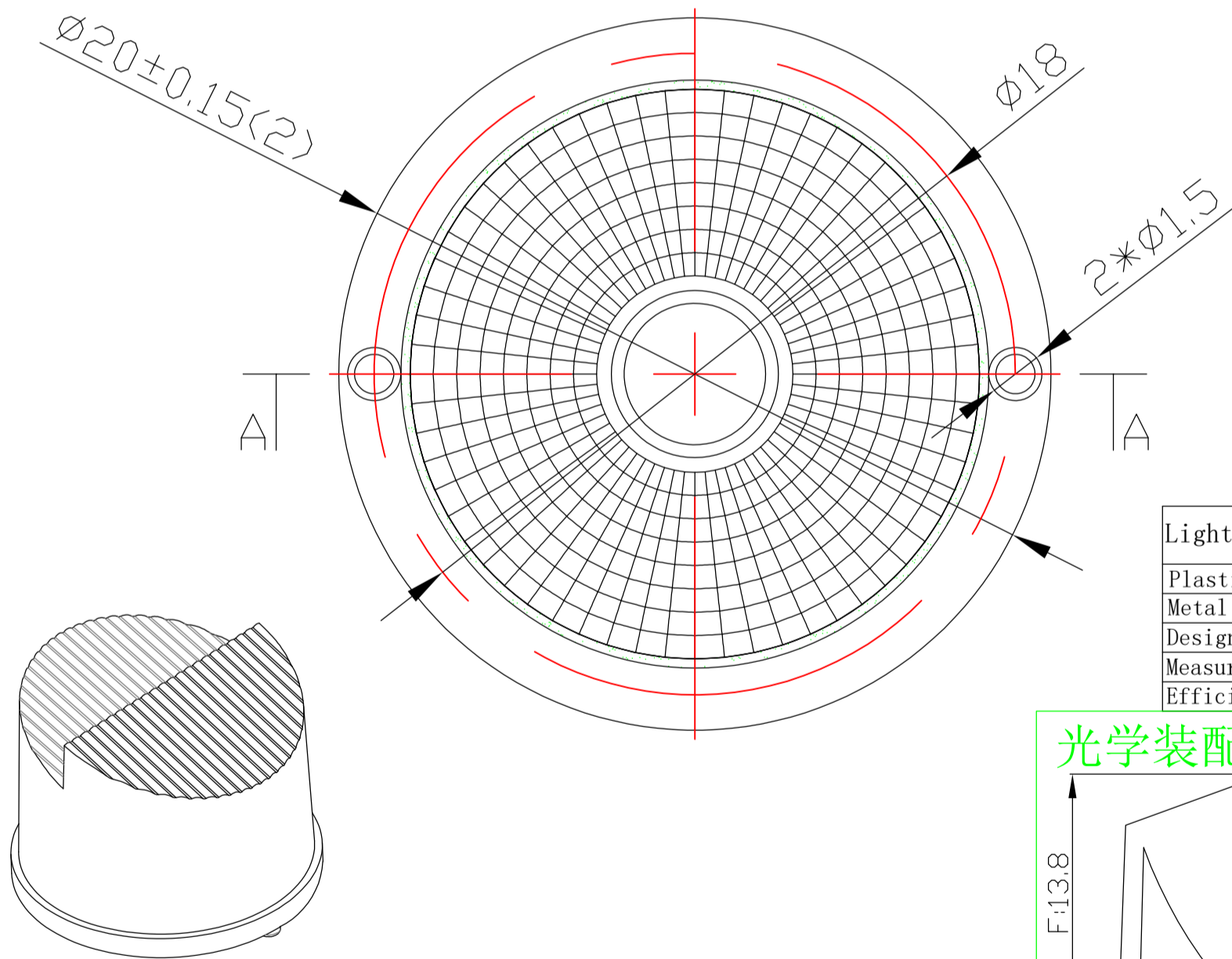


table for unmentioned tolerance in the drawing
(unit: mm)

0-5	5-30	30-120	120-250	250-400	400-700
±0.15	±0.2	±0.5	±0.8	±1.5	±2

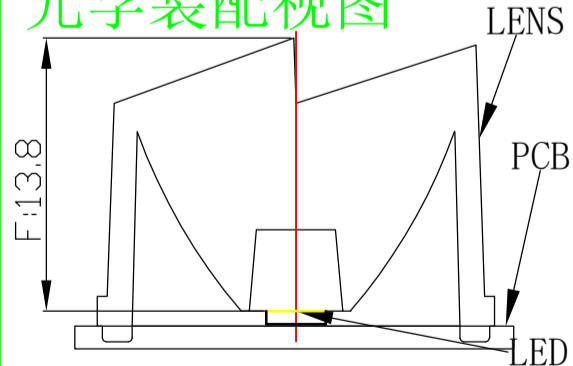


A - A



Light Source	NICHIA NF2W757
Plastic Holder	
Metal Adaptor	
Design Angle	20° * 50° ± 3°
Measured Angle	19.9° * 47.2°
Efficiency	

光学装配视图



Material: PMMA

Nata[®]
NATA Lighting Co., Ltd

Mark	Amended Times	Amended Content			Signature	Amended Date	Customer Item	
Controll Version	A0	Design Version	K0	Client Version		Customer Code	NT	
Designer		Drawing by		Proportion	1:1	Product Number		
Technology		Auditor		View		Product Name	NA01D0202050CA	
Approval		Date	2019.06.17	Page	Total Page			