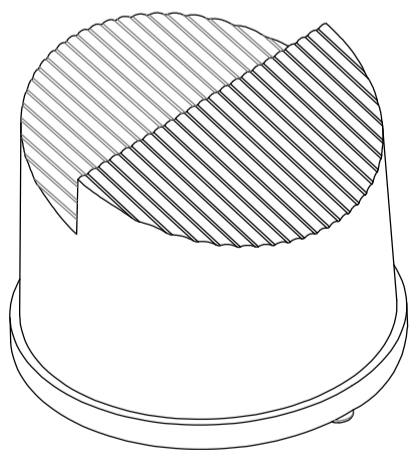
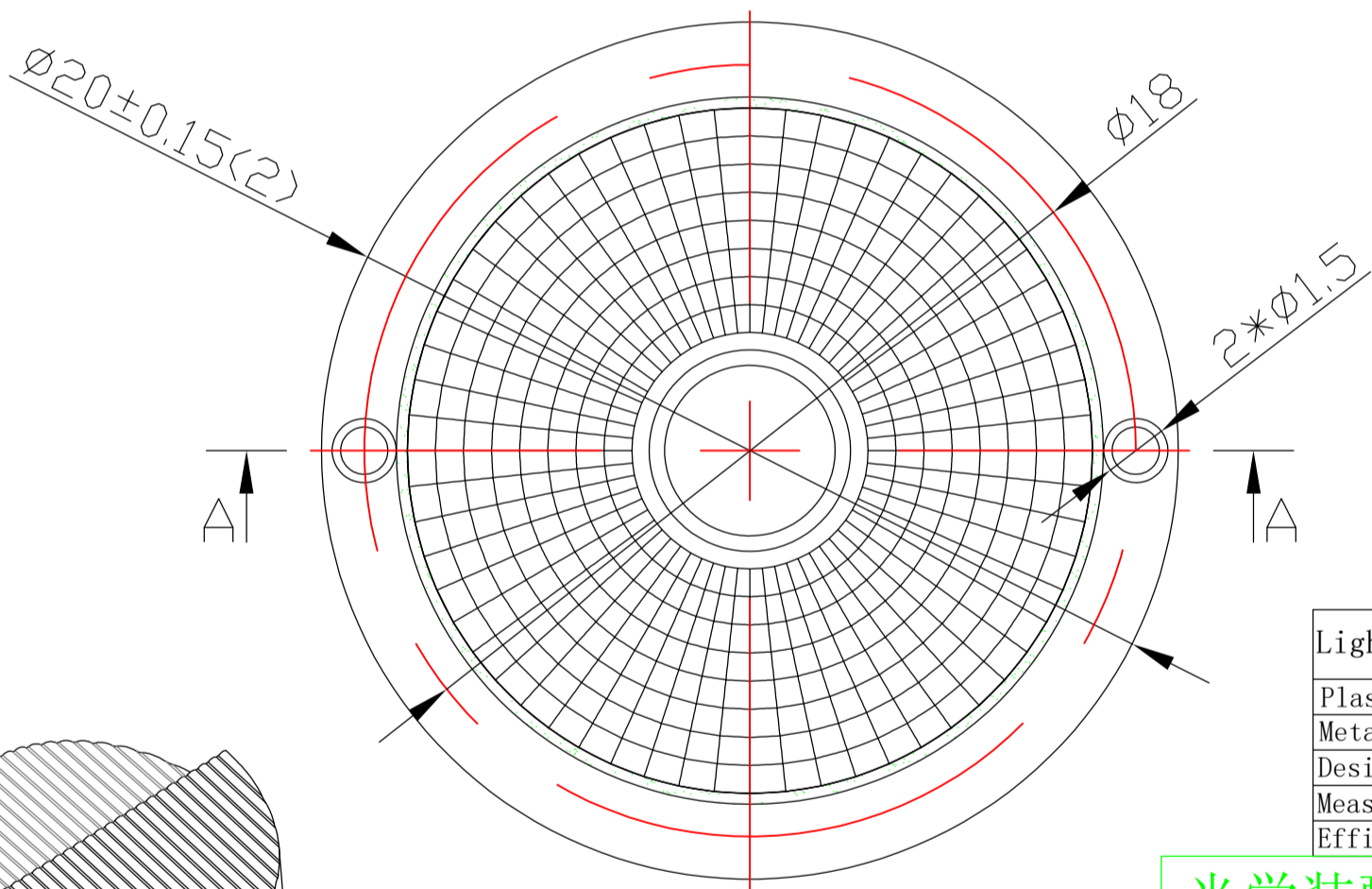
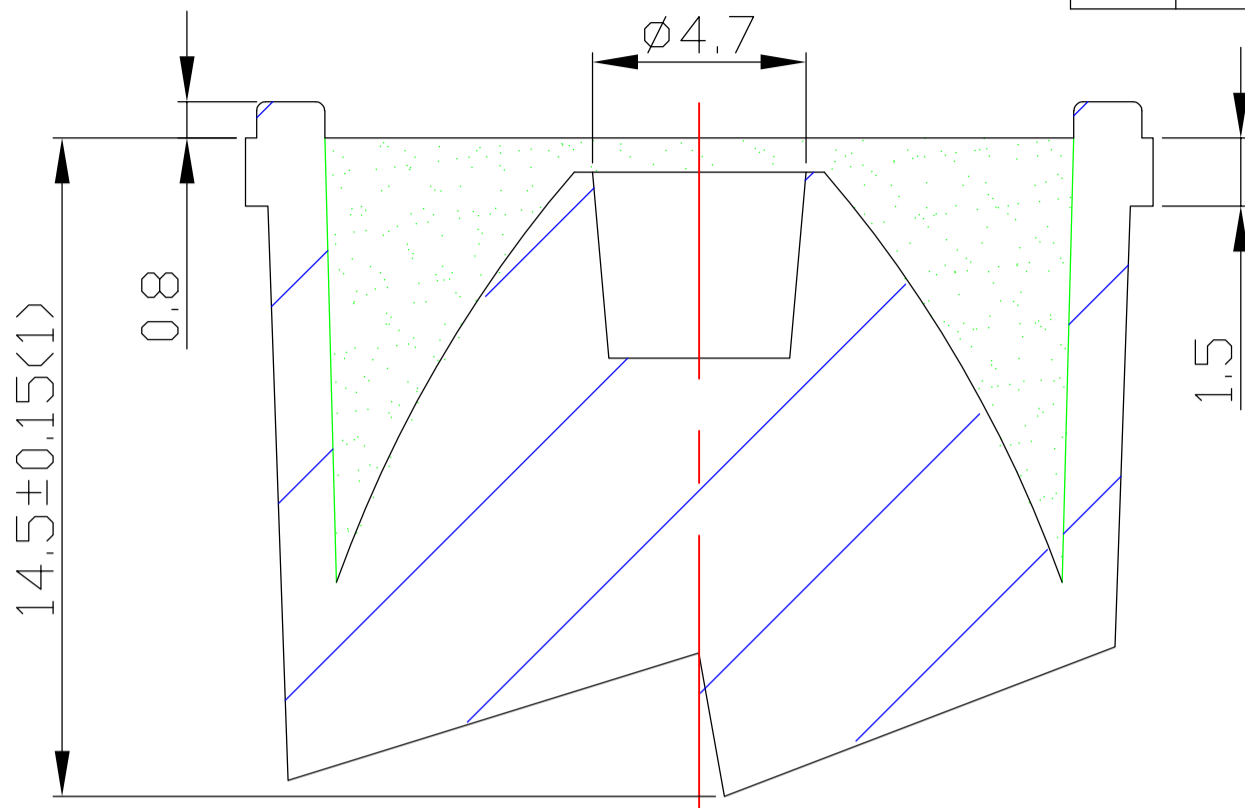


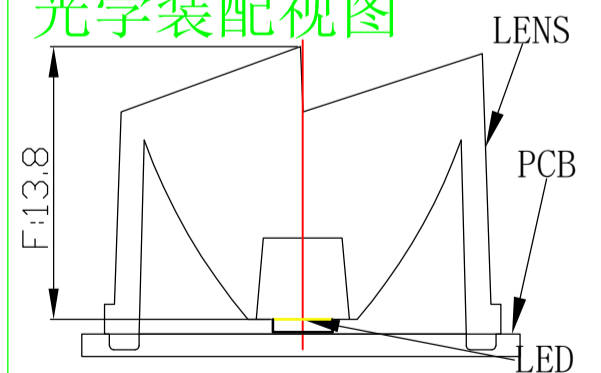
table for unmentioned tolerance in the drawing
(unit: mm)

0-5	5-30	30-120	120-250	250-400	400-700
±0.15	±0.2	±0.5	±0.8	±1.5	±2



Light Source	NICHIA NF2W757
PlasticHolder	
Metal Adaptor	
Design Angle	15° *30° ±3°
Measured Angle	17.3° *31.7°
Efficiency	

光学装配视图



Material:PMMA

Nata[®]
NATA Lighting Co.,Ltd

Mark	Amended Times	Amended Content			Signature	Amended Date	Customer Item		
Controll Version	A0	Design Version	K1	Client Version		Proportion	1:1	Customer Code	NT
Designer		Drawing by		View				Product Number	
Technology		Auditor		Date	2019.06.11	Page		Product Name	NA01D0201530CA
Approval				Total Page					