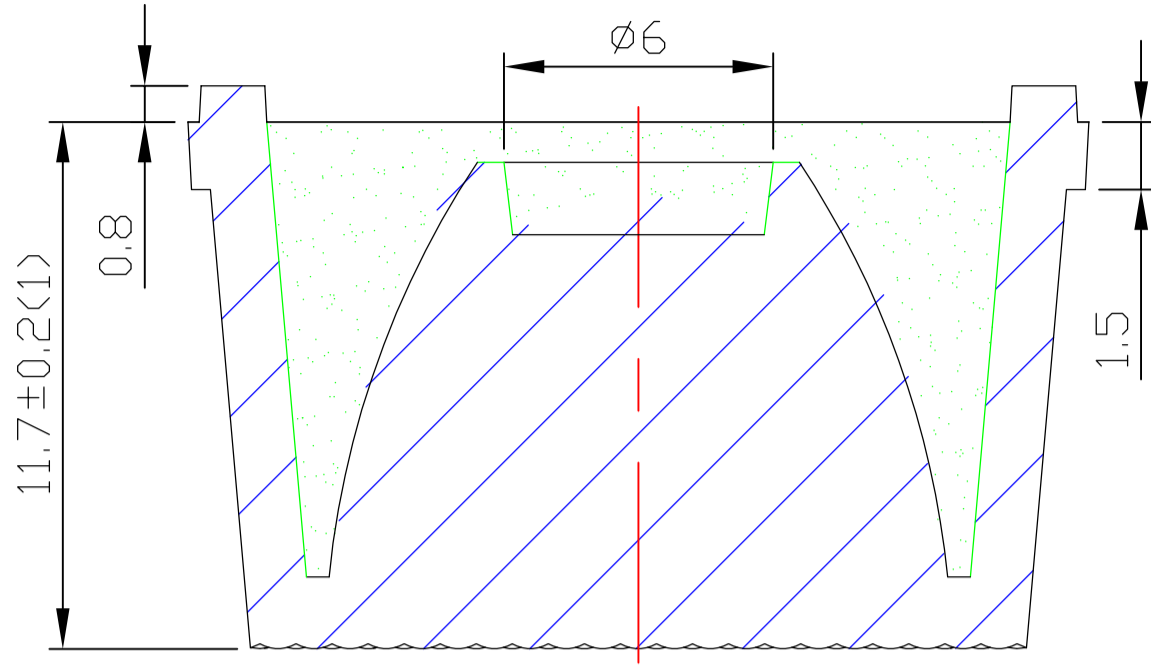
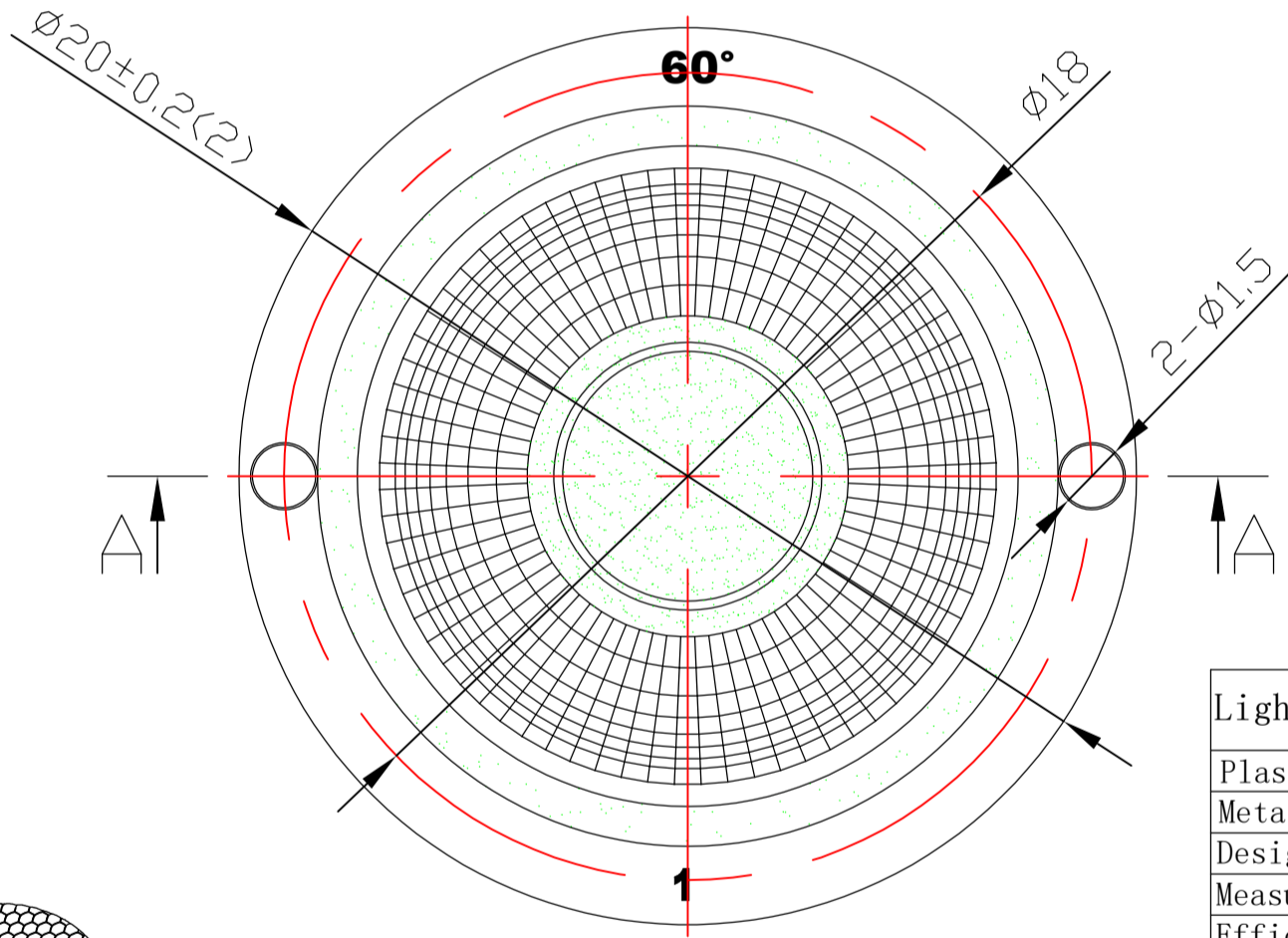


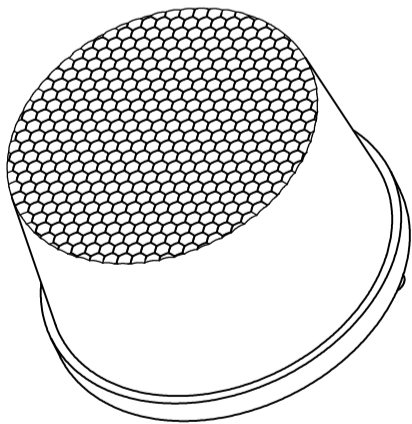
table for unmentioned tolerance in the drawing (unit: mm)					
0-5	5-30	30-120	120-250	250-400	400-700
±0.15	±0.2	±0.5	±0.8	±1.5	±2



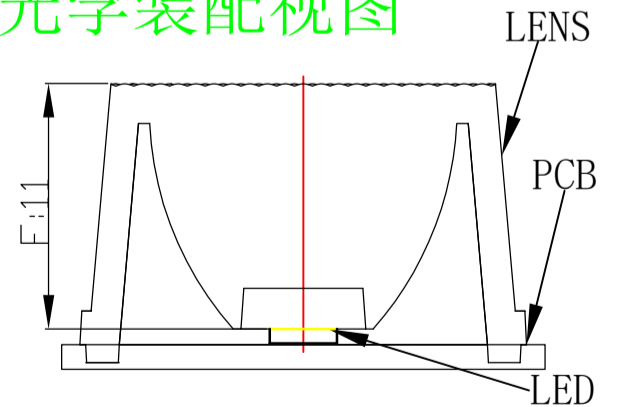
A - A



Light Source	NICHIA NF2W757
Plastic Holder	
Metal Adaptor	
Design Angle	60° ± 5°
Measured Angle	61.4°
Efficiency	



光学装配视图



Material: PMMA

Nata[®]
NATA Lighting Co., Ltd

Mark	Amended Times	Amended Content		Signature	Amended Date	Customer Item	Customer Code	Product Number	Product Name	
Controll Version	A0	Design Version	K1	Client Version						NT
Designer		Drawing by		Proportion	1:1					
Technology		Auditor		View						
Approval		Date	2019.06.11	Page	Total Page					NA01D020060BW