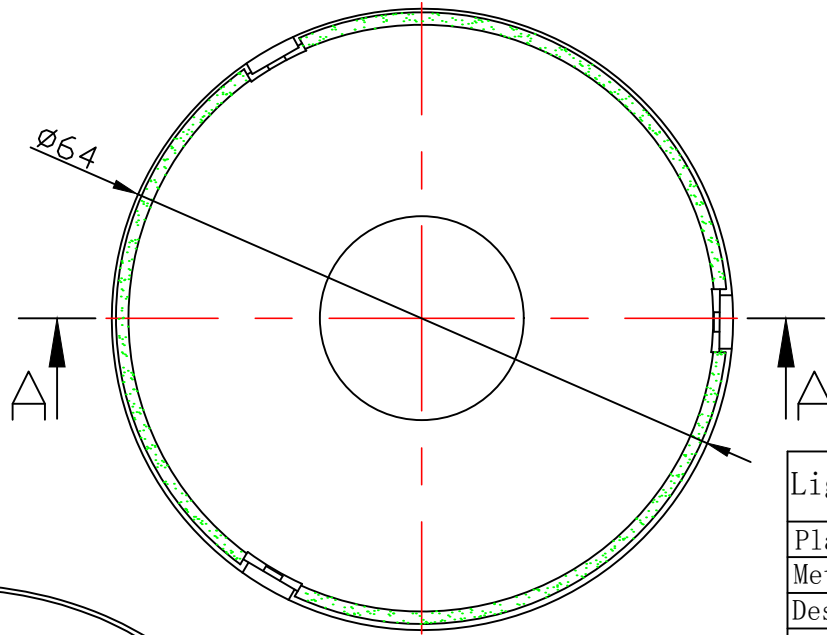
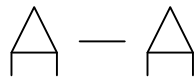
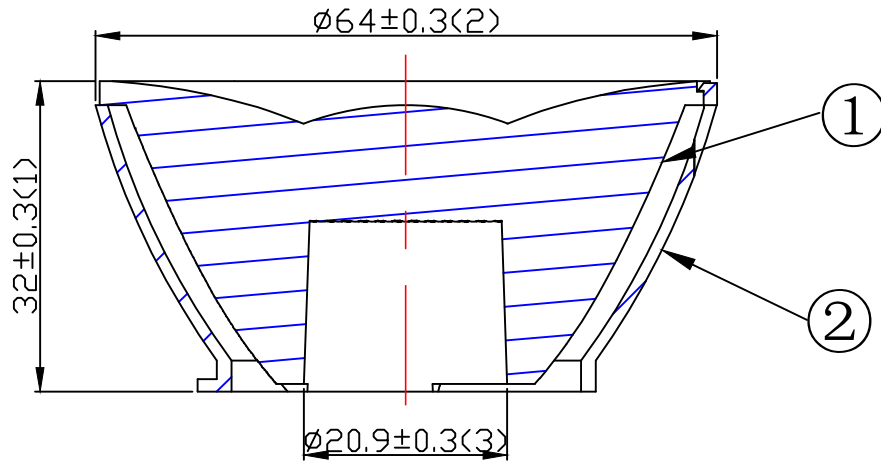
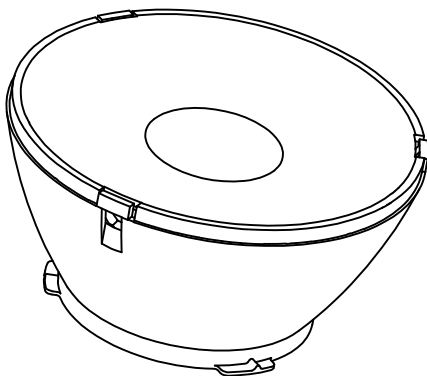


Product bill of material				
Serial number	material name	Masterial number	NO.	Describe
①	LN01D06324BF	62.0022.03	1	Material:PMMA
②	透镜支架	97.70.097.00	1	Material:PC

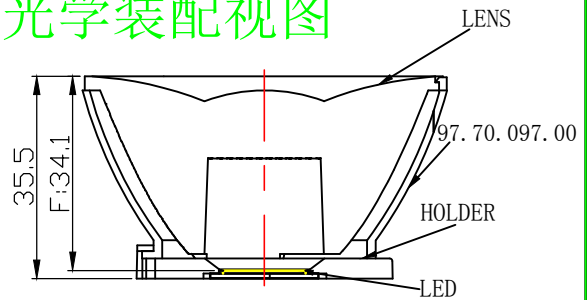
table for unmentioned tolerance in the drawing (unit: mm)					
0-5	5-30	30-120	120-250	250-400	400-700
±0.15	±0.2	±0.5	±0.8	±1.5	±2



Light Source	LUMINUS CXM-14-AA10
PlasticHolder	92.70.130.00
Metal Adaptar	
Design Angle	$24^\circ \pm 3^\circ$
Measured Angle	24.5°
Efficiency	



光学装配视图



组装图

Nata[®]
NATA Lighting Co.,Ltd

Mark	Amended Times	Amended Content		Signature	Amended Date
Controll Version		Design Version		Client Version	
Designer		Drawing by		Proportion	1:1
Technology		Auditor		View	
Approval		Date	2018.03.09	Page	Total_ Page_

Customer Item	
Customer Code	NT
Product Number	
Product Name	LN01D06324BF-N