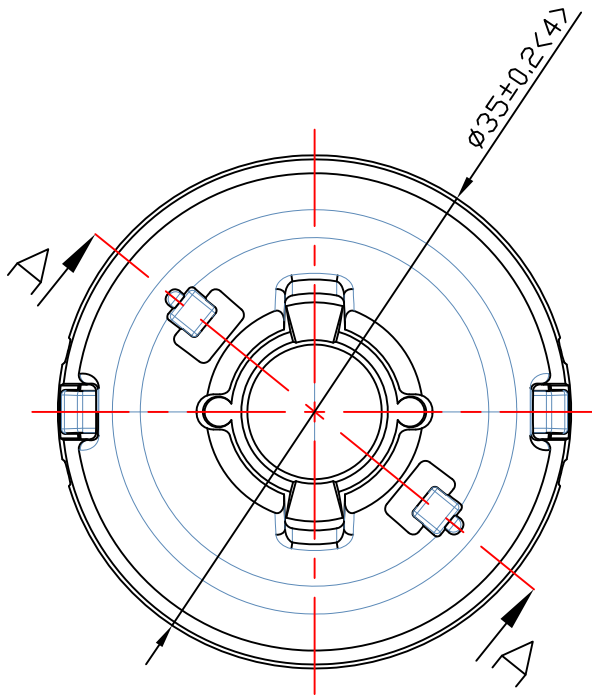
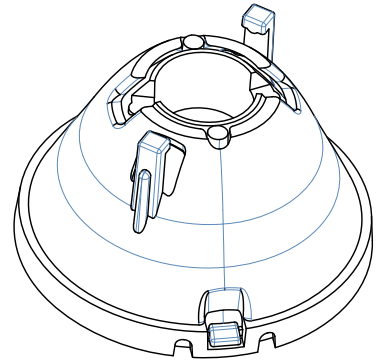
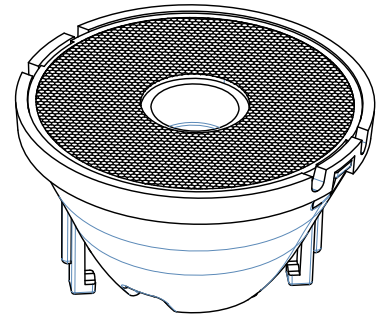
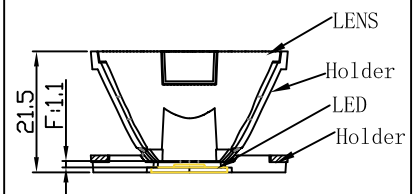


A-A



Light Source	LUMINUS CXM-4
PlasticHolder	97.70.235.00
LED Holder	92.70.272.00
Design Angle	36° ±3°
Measured Angle	37.2°
Efficiency	

光学装配示意图



技术要求:

1. 在组装和包装的过程中,要佩戴手套,防止产品粘上灰尘、油污或手指印,以免影响光效和外观;
2. 组装过程中要注意透镜台阶要卡入支架的卡扣内,防止透镜脱落;

产品物料清单

序号	物料名称	物料编码	数量	材料	质量
①	D035DA透镜支架D35x21	97.70.235.00	1	PC	2.1g
②	LN01D03536EE	61.0134.000	1	PMMA	8.8g
③	遮光件D10.5#H5.5	70.302.00	1	PC	0.3g

Engineering drawings

Nata[®]

Mark	Amended Times	Amended Content		Signature	Amended Date
Control Version	A0	Design Version	K0	Client Version	
Designer		Drawing by		Proportion	1:1
Technology		Auditor		View	
Approval		Date	2020.11.03	Page	Total_ Page_

Customer Item

Customer Code

Product Number

Product Name

NT

61.0133.000

LN01D03536EE-N