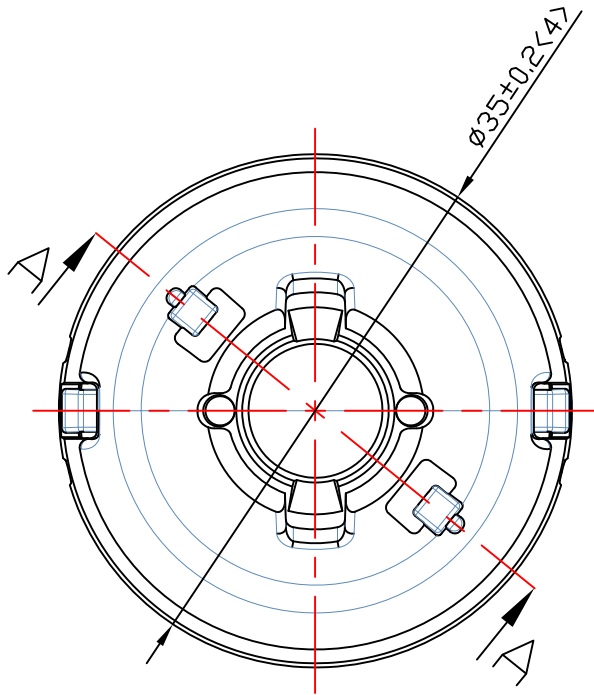
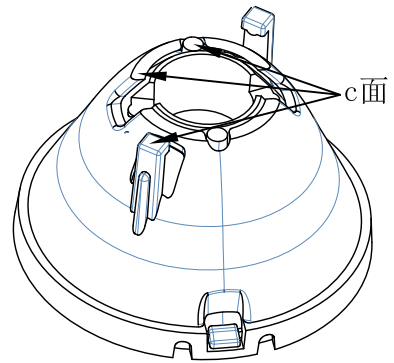
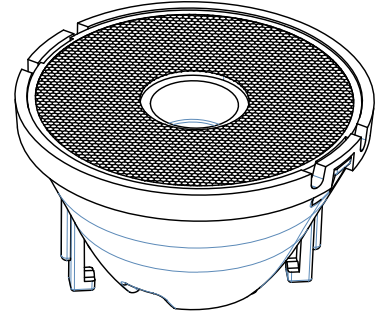
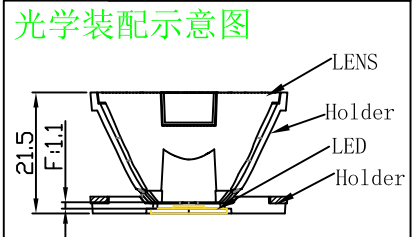


A-A



Light Source	LUMINUS CXM-4
PlasticHolder	97.70.235.00
LED Holder	92.70.272.00
Design Angle	$24^\circ \pm 3^\circ$
Measured Angle	$24.6^\circ$
Efficiency	



技术要求:

1. 在组装和包装的过程中, 要佩戴手套, 防止产品粘上灰尘、油污或手指印, 以免影响光效和外观;
2. 组装过程中要注意透镜台阶要卡入支架的卡扣内, 防止透镜脱落;

产品物料清单

序号	物料名称	物料编码	数量	材料	质量
①	D035DA透镜支架D35x21	97.70.235.00	1	PC	2.1g
②	LN01D03524EE	61.0132.000	1	PMMA	8.8g
③	遮光件D10.5x15.5	70.302.00	1	PC	0.3g

Engineering drawings

**Nata**<sup>®</sup>

Mark	Amended Times	Amended Content		Signature	Amended Date
Control Version	A0	Design Version	K0	Client Version	
Designer		Drawing by		Proportion	1:1
Technology		Auditor		View	
Approval		Date	2020.11.03	Page	Total_ Page_

Customer Item	_____
Customer Code	NT
Product Number	61.0131.000
Product Name	LN01D03524EE-N