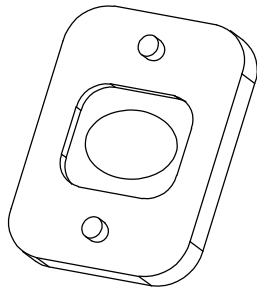
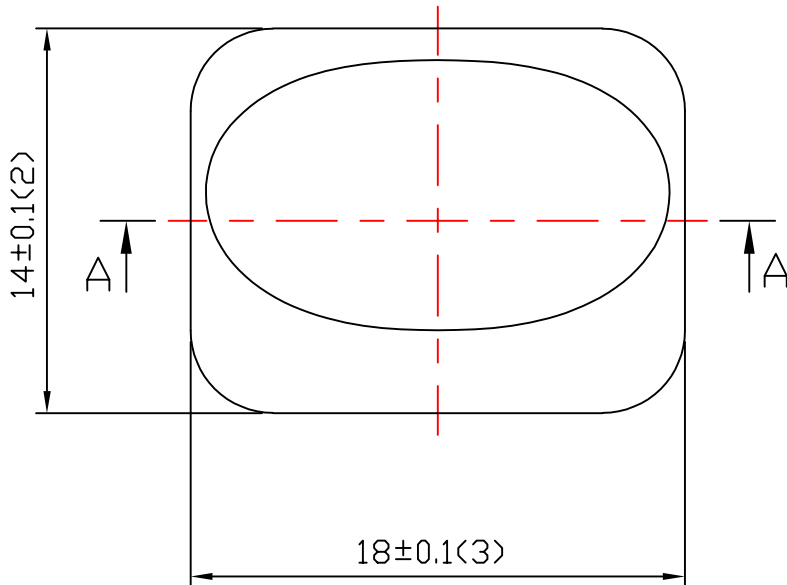
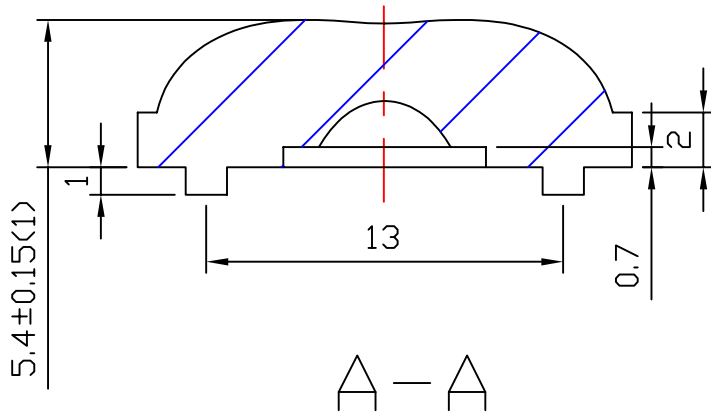


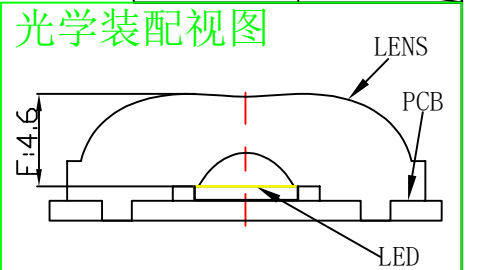
table for unmentioned tolerance in the drawing

(unit: mm)

0-5	5-30	30-120	120-250	250-400	400-700
±0.15	±0.2	±0.5	±0.8	±1.5	±2



Light Source	LUMILEDS LUXEON 5050
PlasticHolder	
Metal Adaptor	
Design Angle	65° *150° ±5°
Measured Angle	65.6° *153.2°
Efficiency	



				Material:PC				Nata® NATA Lighting Co.,Ltd					
								Customer Item					
								Customer Code		NT			
								Product Number					
								Product Name		LM01L01675150AX			
Mark	Amended Times	Amended Content		Signature	Amended Date								
Control Version	AO	Design Version	K0	Client Version									
Designer	Drawing by		Proportion		1:1								
Technology	Auditor		View										
Approval	Date		2019. 07. 02		Page		Total Page						