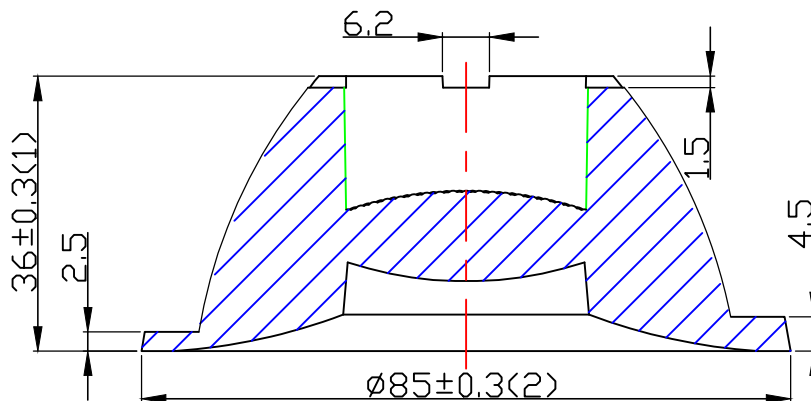
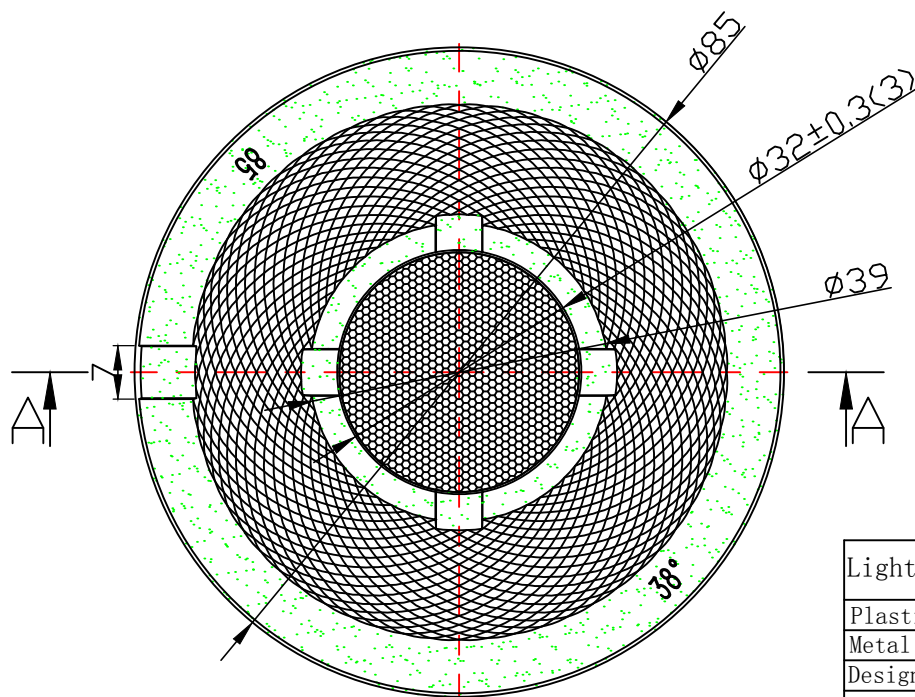


table for unmentioned tolerance in the drawing  
(unit: mm)

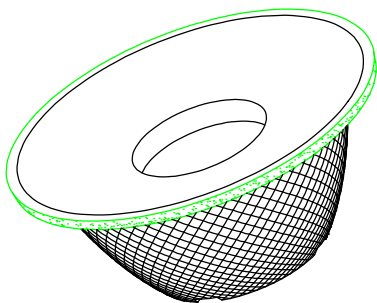
0-5	5-30	30-120	120-250	250-400	400-700
±0.15	±0.2	±0.5	±0.8	±1.5	±2



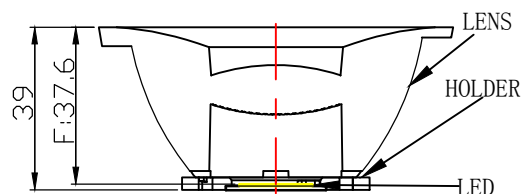
A - A



Light Source	LUMILEDS LUXEON CoB 1208
PlasticHolder	92.70.045.00
Metal Adaptor	
Design Angle	38° ± 3°
Measured Angle	36.2°
Efficiency	



光学装配视图



Mark	Amended Times	Amended Content		Signature	Amended Date
Controll Version	AO	Design Version	KO	Client Version	
Designer		Drawing by		Proportion	1:1
Technology		Auditor		View	
Approval		Date	2018.08.22	Page	Total Page

Material:PMMA

**Nata**<sup>®</sup>  
**NATA Lighting Co.,Ltd**

Customer Item	
Customer Code	NT
Product Number	
Product Name	LM01D08538BK