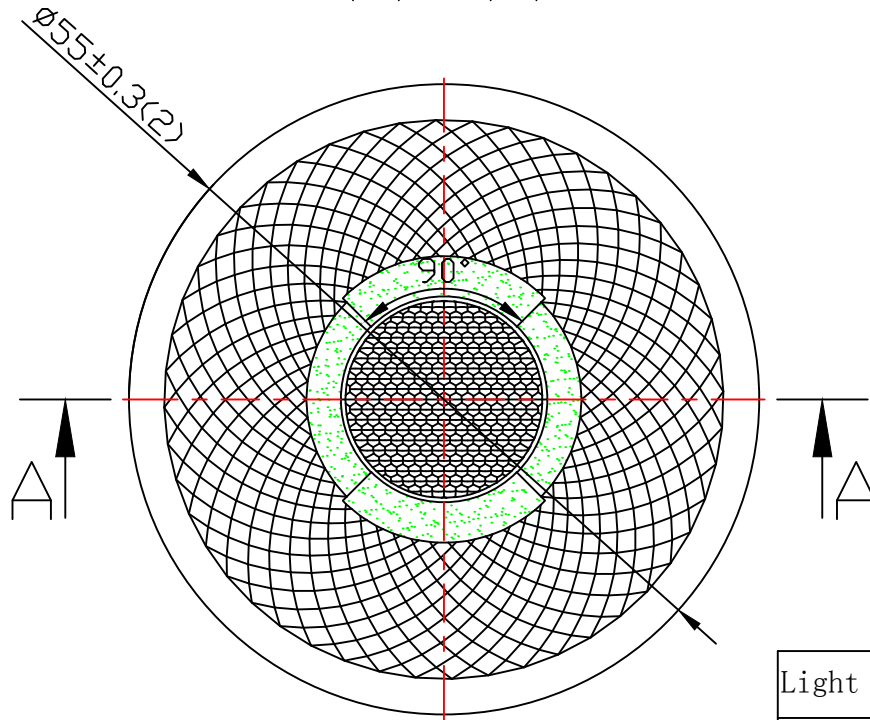
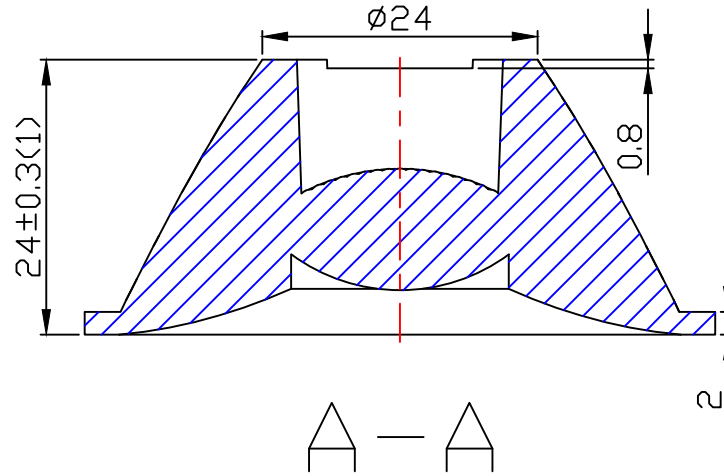
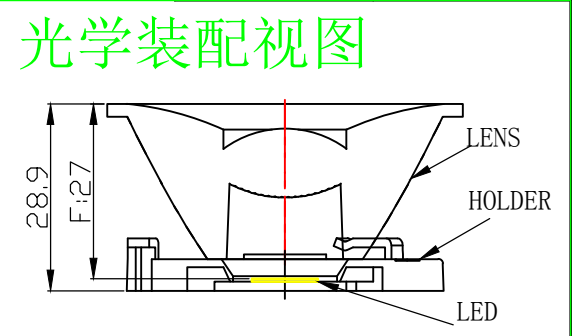
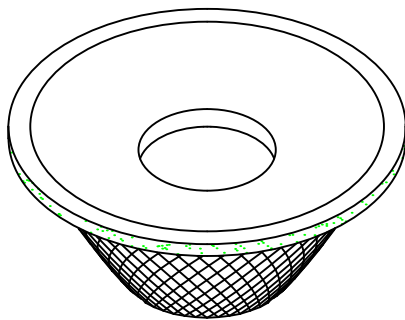


table for unmentioned tolerance in the drawing
(unit: mm)

0-5	5-30	30-120	120-250	250-400	400-700
±0.15	±0.2	±0.5	±0.8	±1.5	±2



Light Source	LUMILEDS LUXEON COB 1203
PlasticHolder	92.70.132.00
Metal Adaptor	
Design Angle	15° ±3°
Measured Angle	16.3°
Efficiency	



Material:PMMA

Nata[®]
NATA Lighting Co.,Ltd

Mark	Amended Times	Amended Content		Signature	Amended Date
Controll Version	A0	Design Version	K1	Client Version	
Designer		Drawing by		Proportion	1:1
Technology		Auditor		View	
Approval		Date	2018.07.30	Page	Total_Page_

Customer Item	
Customer Code	NT
Product Number	
Product Name	LM01D05515BH