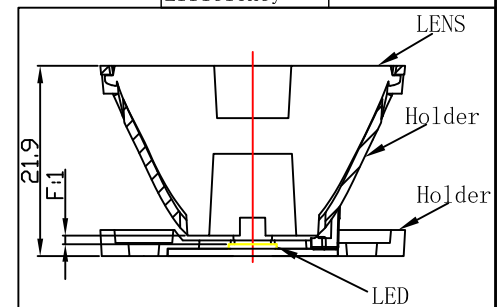


Light Source	LUMINUS CXM-4
PlasticHolder	92.70.267.00
Metal Adaptor	
Design Angle	$36^\circ \pm 3^\circ$
Measured Angle	35.4°
Efficiency	

Technical requirements:

1. Material :PMMA.
2. Undimensioned radius and draft angles refer to 3D.
3. Non dimensioned measures refer to GB/ t14486-2008 MT5 standard.

序号	物料名称	物料编号	数量	描述
①	LM01D03536DA	94.60.0095.000	1	材质: PC
②	D035DA透镜支架 D35x21	97.70.235.00	1	材质: PC



					Engineering drawings						
Mark	Amended Times	Amended Content			Signature	Amended Date				Customer Item	
Control Version	A0	Design Version	K0		Client Version					Customer Code	NT
Designer		Drawing by			Proportion	1:1				Product Number	91.61.0094.000
Technology		Auditor			View					Product Name	LM01D03536DA-N
Approval		Date	2019.03.28		Page	Total_ Page_					