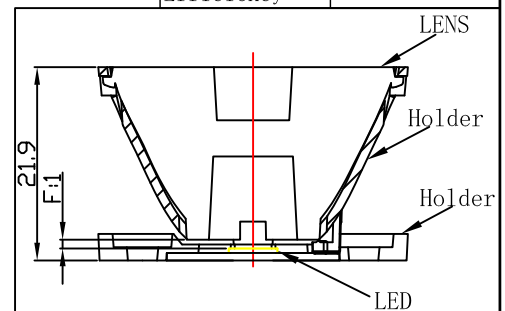


| | |
|----------------|------------------------|
| Light Source | LUMINUS CXM-4 |
| PlasticHolder | 92.70.267.00 |
| Metal Adaptor | |
| Design Angle | $15^\circ \pm 3^\circ$ |
| Measured Angle | 16.2° |
| Efficiency | |

Technical requirements:

1. Material :PMMA.
2. Undimensioned radius and draft angles refer to 3D.
3. Non dimensioned measures refer to GB/ t14486-2008 MT5 standard.



| 序号 | 物料名称 | 物料编号 | 数量 | 描述 |
|----|----------------------|----------------|----|--------|
| ① | LM01D03515DA | 94.60.0091.000 | 1 | 材质: PC |
| ② | D035DA透镜支架 D35x21 | 97.70.235.00 | 1 | 材质: PC |

| Mark | Amended Times | Amended Content | | Signature | Amended Date |
|-----------------|---------------|-----------------|------------|----------------|--------------|
| Control Version | A0 | Design Version | K0 | Client Version | |
| Designer | | Drawing by | | Proportion | 1:1 |
| Technology | | Auditor | | View | |
| Approval | | Date | 2019.03.28 | Page | Total_Page_ |

Engineering drawings

Nata[®]

| | |
|----------------|----------------|
| Customer Item | |
| Customer Code | NT |
| Product Number | 91.61.0090.000 |
| Product Name | LM01D03515DA-N |