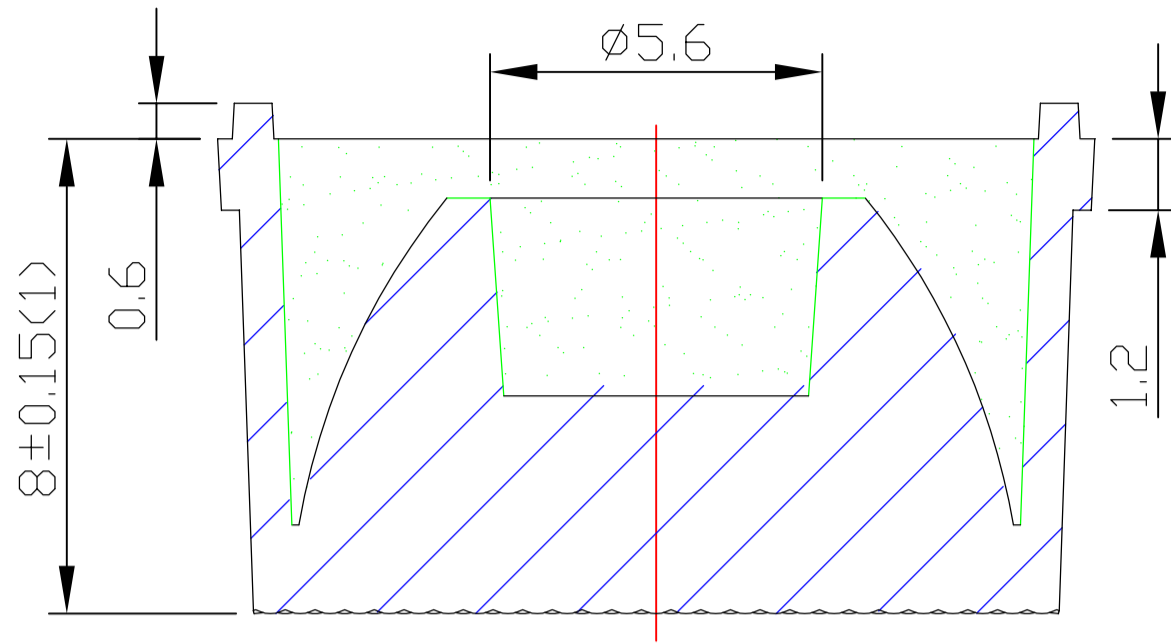
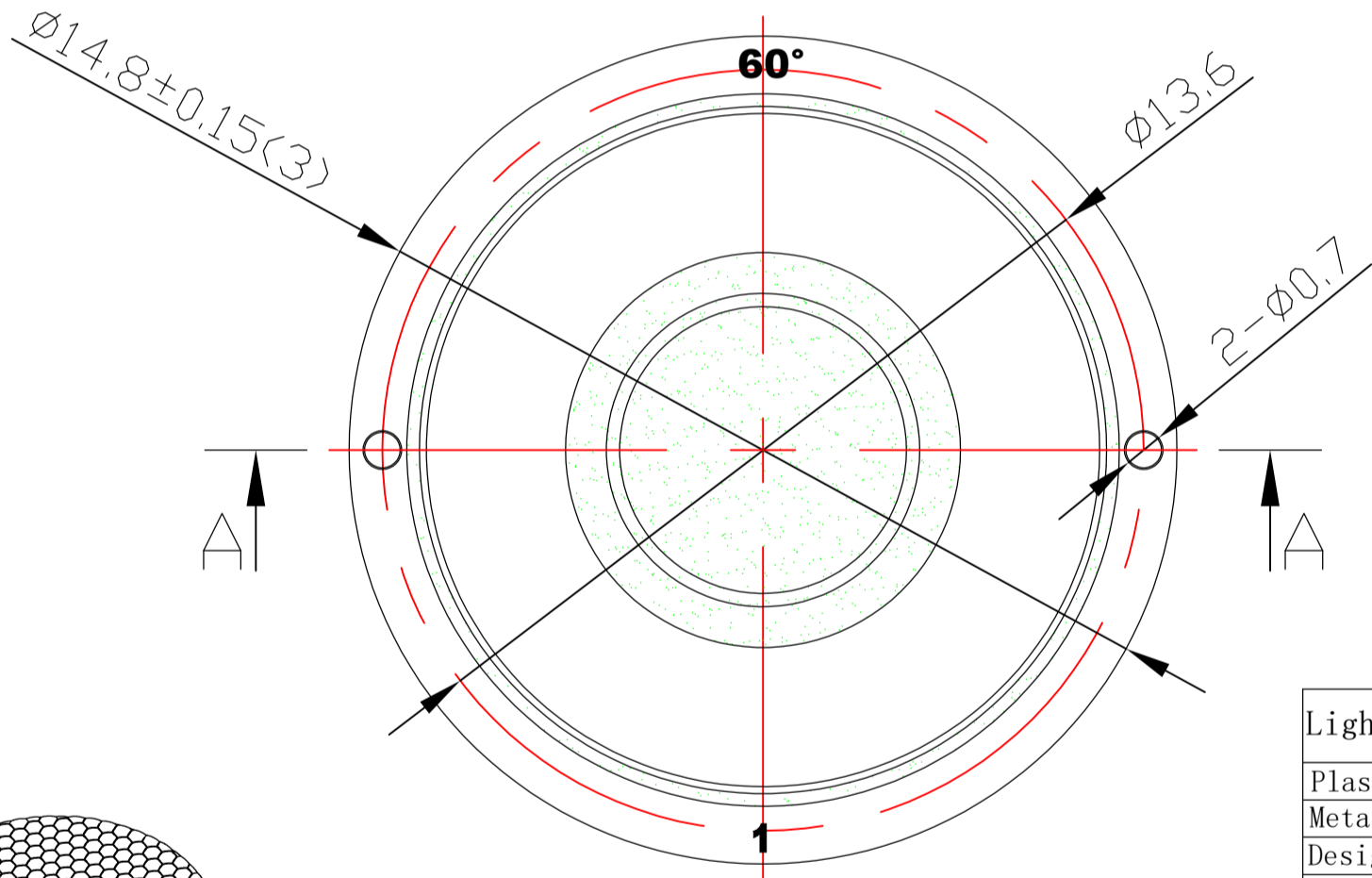


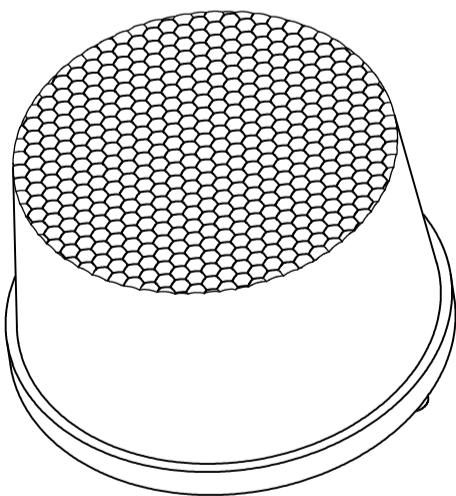
table for unmentioned tolerance in the drawing (unit: mm)					
0-5	5-30	30-120	120-250	250-400	400-700
±0.15	±0.2	±0.5	±0.8	±1.5	±2



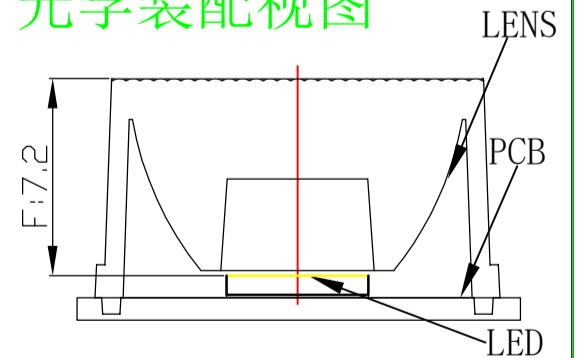
A — A



Light Source	LUMILEDS LUXEON 5050
PlasticHolder	
Metal Adaptor	
Design Angle	60° ± 5°
Measured Angle	63.2°
Efficiency	



光学装配视图



					Material: PMMA		Nata [®] NATA Lighting Co., Ltd	
Mark	Amended Times	Amended Content		Signature	Amended Date	Customer Item		
Control Version	A0	Design Version	K1	Client Version		Customer Code	NT	
Designer		Drawing by		Proportion	1:1	Product Number		
Technology		Auditor		View		Product Name	LM01D01560BY	
Approval		Date	2019.06.17	Page	Total Page			