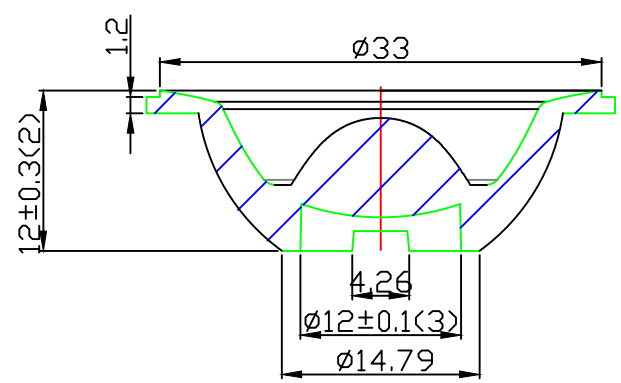
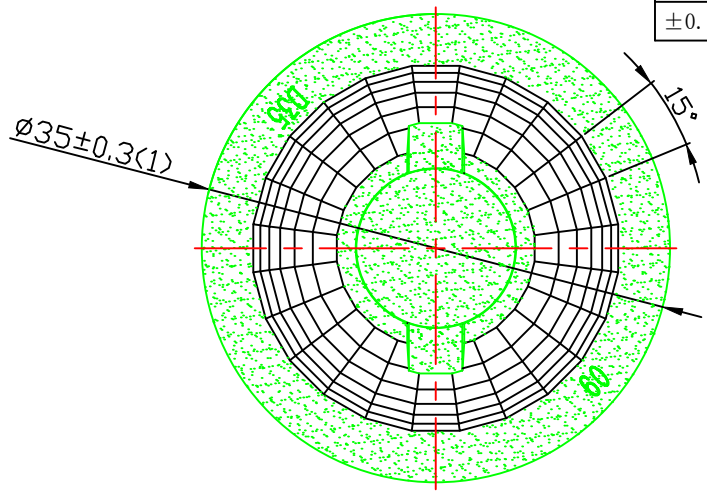
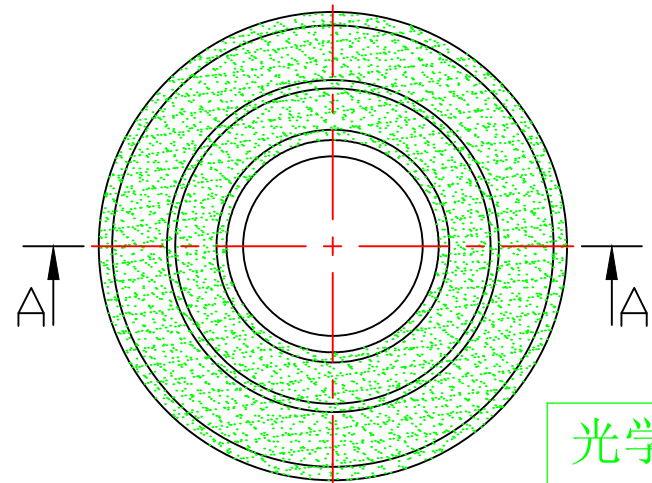
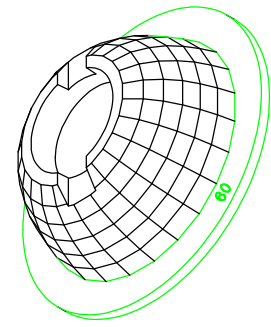


table for unmentioned tolerance in the drawing (unit: mm)					
0-5	5-30	30-120	120-250	250-400	400-700
±0.15	±0.2	±0.5	±0.8	±1.5	±2

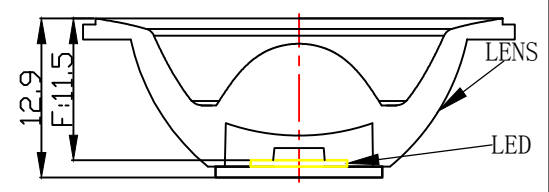


A-A



Light Source	CITIZEN CLU710
PlasticHolder	
Metal Adaptar	
Design Angle	$60^\circ \pm 5^\circ$
Measured Angle	$63.4^\circ$
Efficiency	

光学装配视图



Mark	Amended Times	Amended Content		Signature	Amended Date
Controll Version	AO	Design Version	K3	Client Version	
Designer		Drawing by		Proportion	1:1
Technology		Auditor		View	
Approval		Date	2019.04.24	Page	Total Page

Material: PMMA		<b>Nata</b> <sup>®</sup> NATA Lighting Co.,Ltd	
Customer Item		Customer Code	NT
Product Number		Product Name	CT01D03560AF