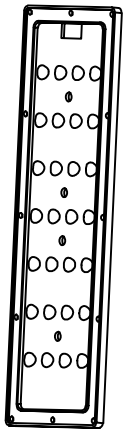
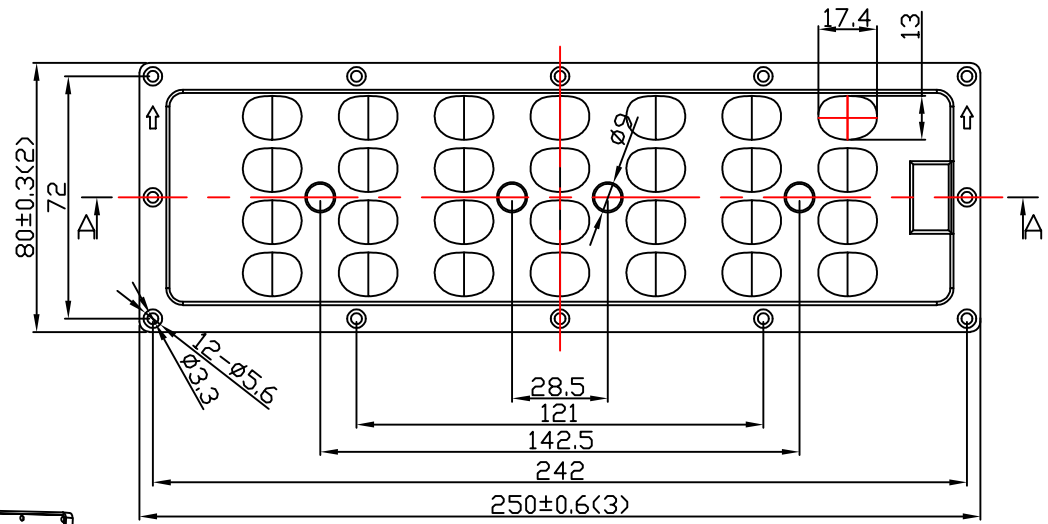
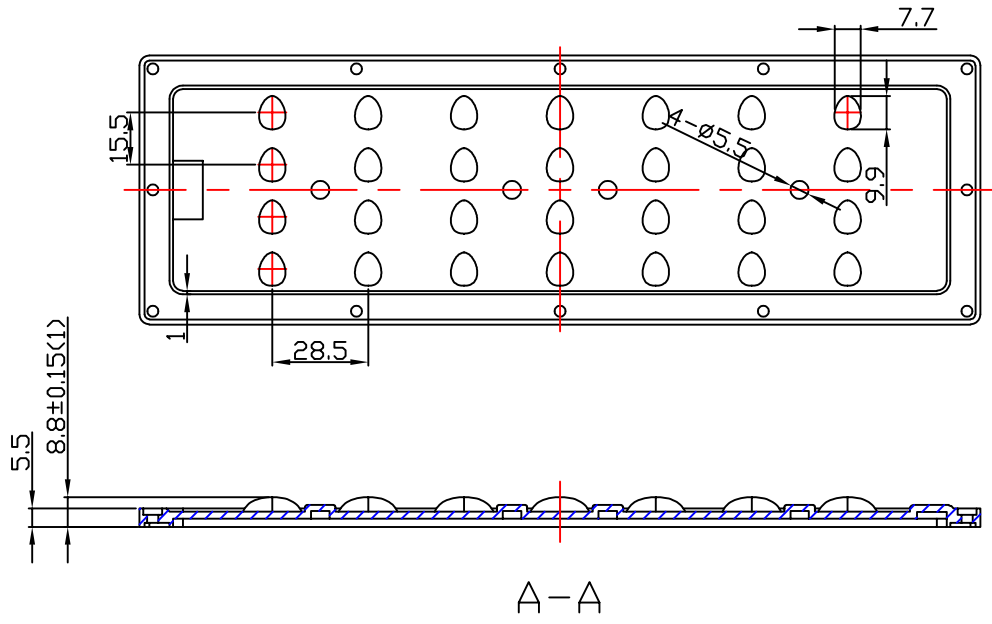
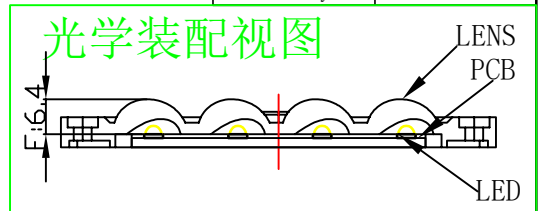


table for unmentioned tolerance in the drawing
(unit: mm)

0-5	5-30	30-120	120-250	250-400	400-700
±0.15	±0.2	±0.5	±0.8	±1.5	±2



Light Source	CREE XP-E2
Plastic Holder	
Metal Adaptor	
Design Angle	74° *145° ±8
Measured Angle	
Efficiency	



				Material: PC		Nata [®] NATA Lighting Co., Ltd	
Mark	Amended Times	Amended Content	Signature	Amended Date	Customer Item		
Control Version	A0	Design Version K1	Client Version		Customer Code	NT	
Designer	Drawing by		Proportion	1:1	Product Number		
Technology	Auditor		View		Product Name	CR28L25075145BC	
Approval	Date	2019. 01. 18	Page	Total Page			