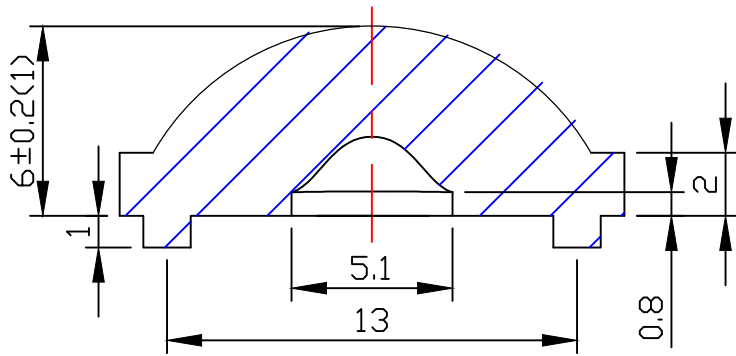
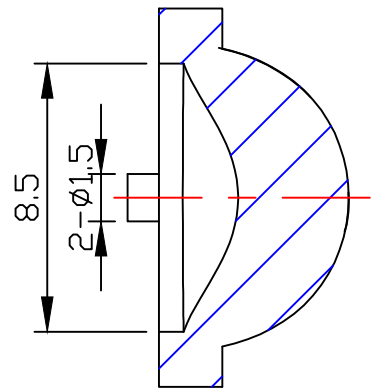
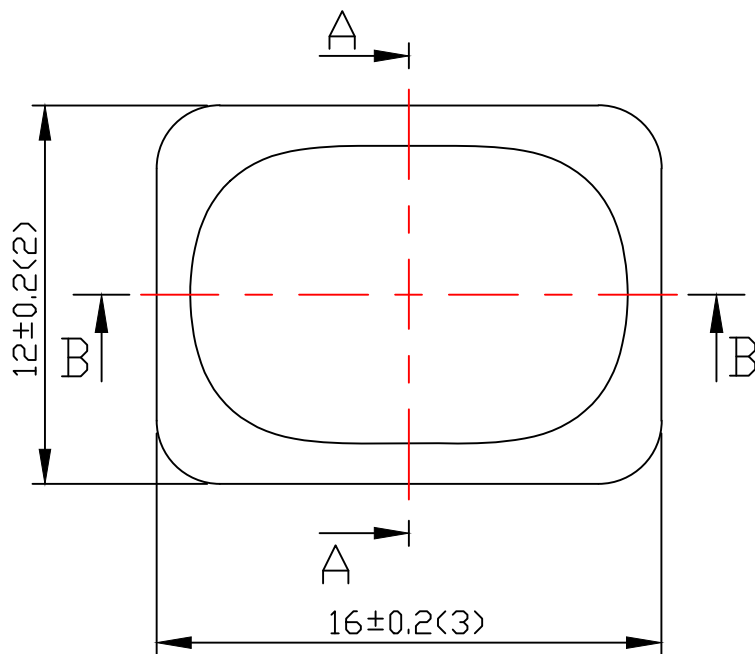


table for unmentioned tolerance in the drawing
(unit: mm)

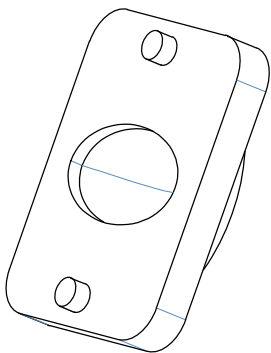
0-5	5-30	30-120	120-250	250-400	400-700
±0.15	±0.2	±0.5	±0.8	±1.5	±2



B-B

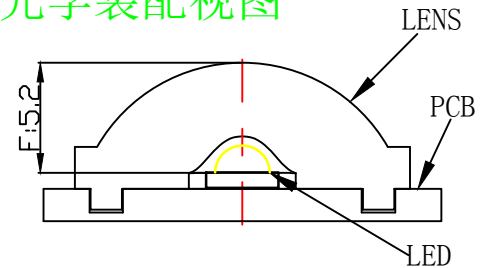


A-A



Light Source	CREE XPE
PlasticHolder	
Metal Adaptor	
Design Angle	80° * 150° ±5°
Measured Angle	81.2° * 149.2°
Efficiency	

光学装配视图



Mark	Amended Times	Amended Content		Signature	Amended Date
Controll Version	A0	Design Version	K0	Client Version	
Designer		Drawing by		Proportion	1:1
Technology		Auditor		View	
Approval		Date	2019.07.02	Page	Total Page

Material:PC

Nata[®]
NATA Lighting Co.,Ltd

Customer Item	
Customer Code	NT
Product Number	
Product Name	CR01L01680150AX