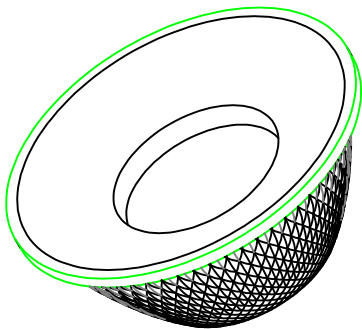
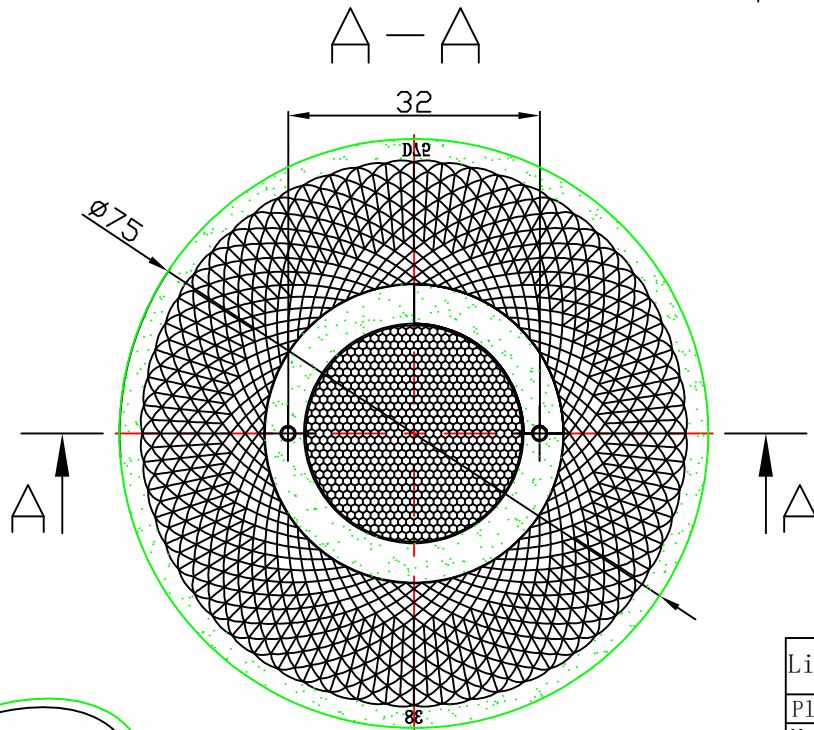
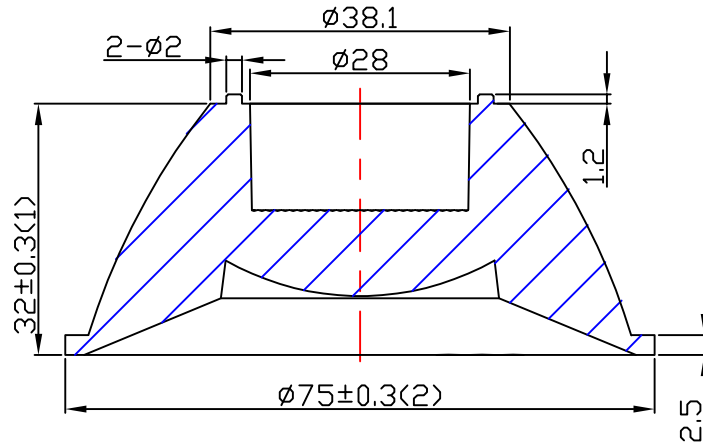


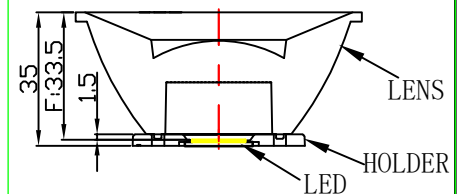
table for unmentioned tolerance in the drawing
(unit: mm)

0-5	5-30	30-120	120-250	250-400	400-700
±0.15	±0.2	±0.5	±0.8	±1.5	±2



Light Source	CREE CXA1820
PlasticHolder	92.70.074.00
Metal Adaptor	
Design Angle	38° ±3°
Measured Angle	38.2°
Efficiency	

光学装配视图



						Material: PMMA		Nata® NATA Lighting Co., Ltd	
Mark	Amended Times	Amended Content		Signature	Amended Date	Customer Item			
Controll Version	A0	Design Version	K3	Client Version		Customer Code		NT	
Designer		Drawing by		Proportion	1:1	Product Number			
Technology		Auditor		View		Product Name		CR01D07538AR	
Approval		Date	2018.09.11	Page	Total_Page_				