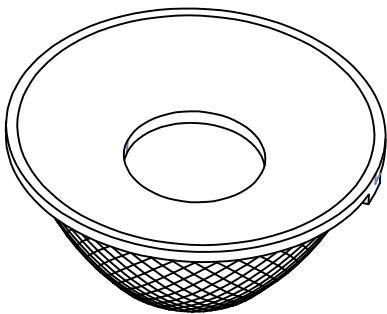
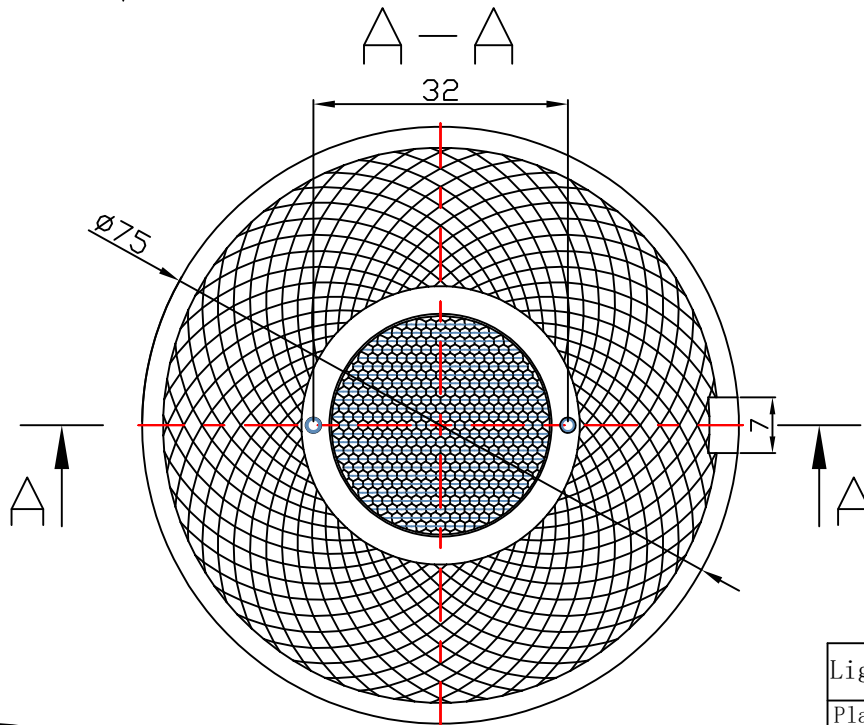
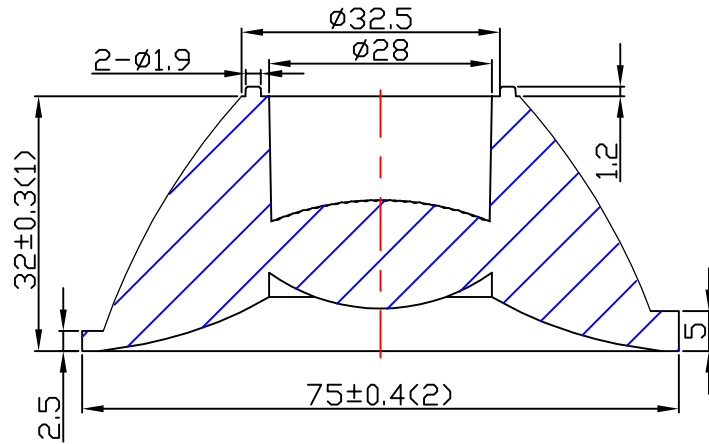


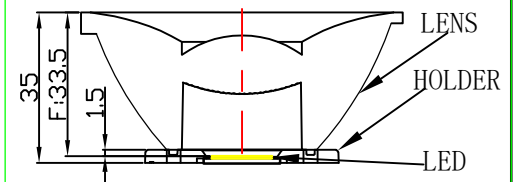
table for unmentioned tolerance in the drawing
(unit: mm)

0-5	5-30	30-120	120-250	250-400	400-700
±0.15	±0.2	±0.5	±0.8	±1.5	±2



Light Source	CREE CXA1820
Plastic Holder	92.70.074.00
Metal Adaptor	
Design Angle	24° ±3°
Measured Angle	23.4°
Efficiency	

光学装配视图



				Material: PMMA		Nata® NATA Lighting Co., Ltd	
						Customer Item	
						Customer Code	NT
						Product Number	
						Product Name	CR01D07524AR
Mark	Amended Times	Amended Content		Signature	Amended Date		
Controll Version	AO	Design Version	K1	Client Version			
Designer		Drawing by		Proportion	1:1		
Technology		Auditor		View			
Approval		Date	2018.01.12	Page	Total Page		