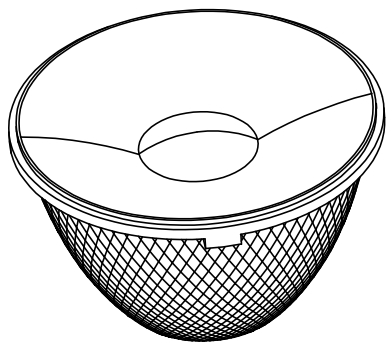
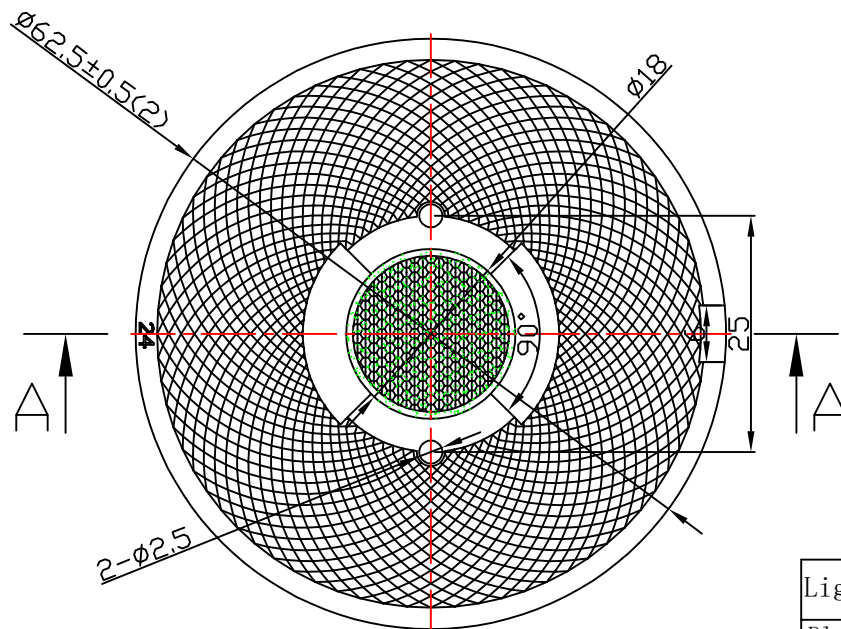
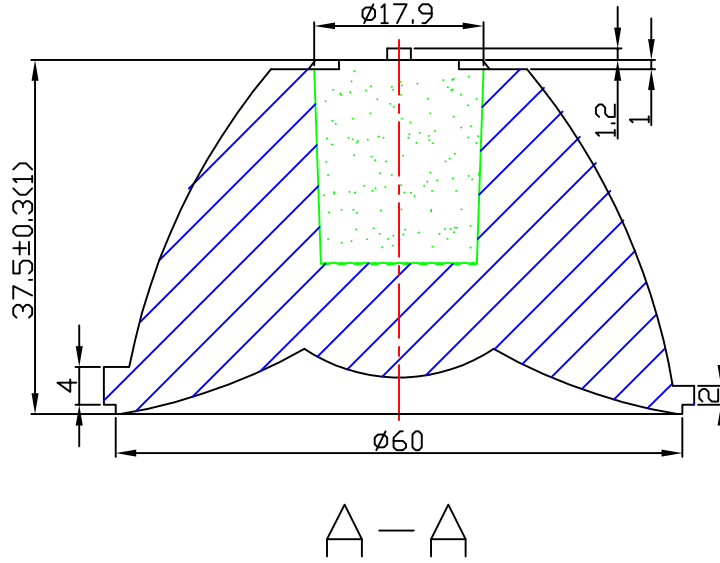
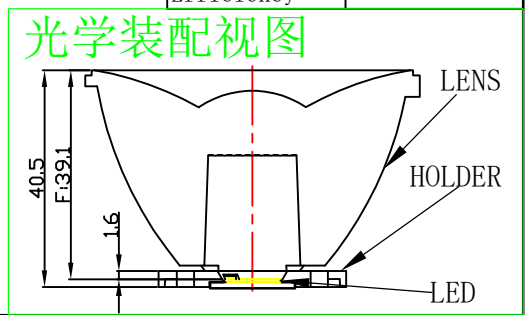


table for unmentioned tolerance in the drawing
(unit: mm)

0-5	5-30	30-120	120-250	250-400	400-700
±0.15	±0.2	±0.5	±0.8	±1.5	±2



Light Source	CREE CXA1512
Plastic Holder	92.70.185.0C
Metal Adaptor	
Design Angle	24° ±3°
Measured Angle	22.7°
Efficiency	



Mark	Amended Times	Amended Content	Signature	Amended Date
Controll Version	A1	Design Version K2	Client Version	
Designer		Drawing by	Proportion	1:1
Technology		Auditor	View	
Approval		Date	2018.04.23	Page Total Page

Material: PMMA

Nata[®]
NATA Lighting Co., Ltd

Customer Item	
Customer Code	NT
Product Number	
Product Name	CR01D06324BG