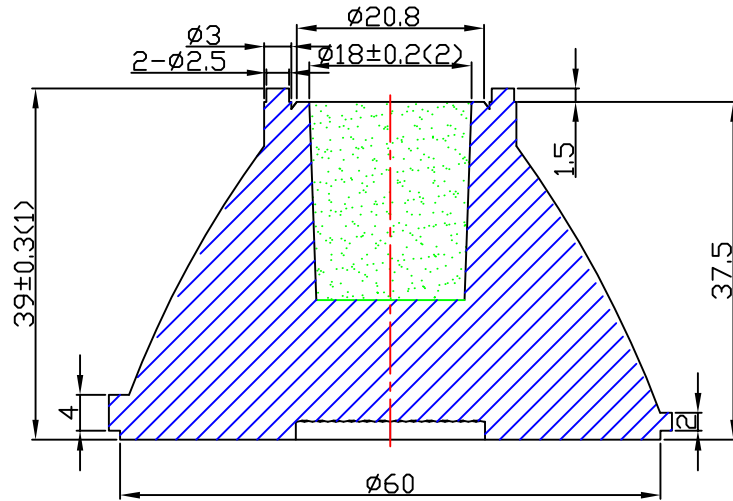
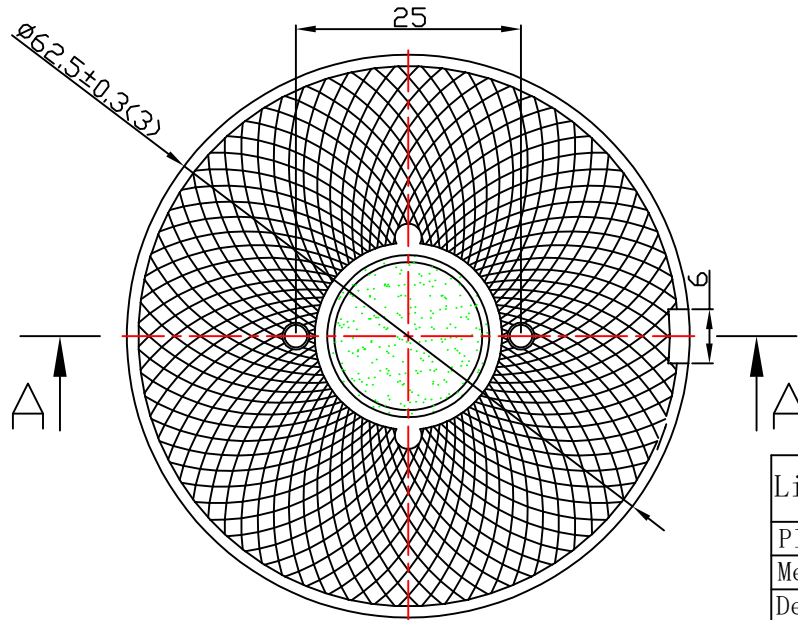


table for unmentioned tolerance in the drawing (unit: mm)

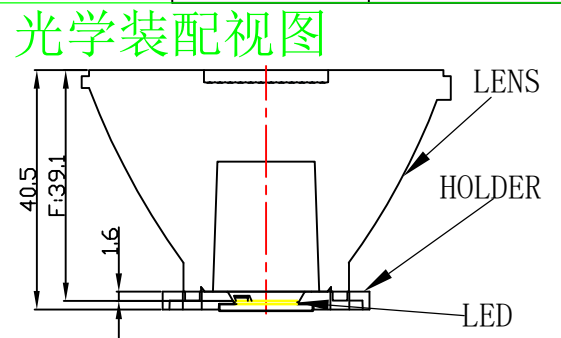
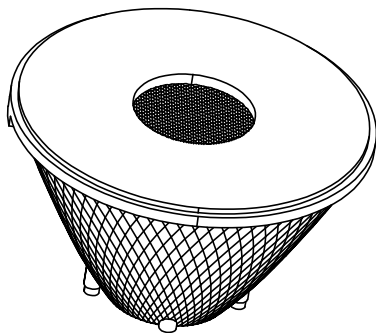
0-5	5-30	30-120	120-250	250-400	400-70
±0.15	±0.2	±0.5	±0.8	±1.5	±2



A - A



Light Source	CREE CXA1512
PlasticHolder	92.70.185.0C
Metal Adaptar	
Design Angle	12° ± 3°
Measured Angle	14.1°
Efficiency	



光学装配视图

Mark	Amended Times	Amended Content	Signature	Amended Date
Controll Version	A0	Design Version K1	Client Version	
Designer		Drawing by	Proportion	1:1
Technology		Auditor	View	
Approval		Date	2019.05.08	Page Total Page

Material:PMMA

**Nata**<sup>®</sup>  
**NATA Lighting Co.,Ltd**

Customer Item	
Customer Code	NT
Product Number	
Product Name	CR01D06312BG