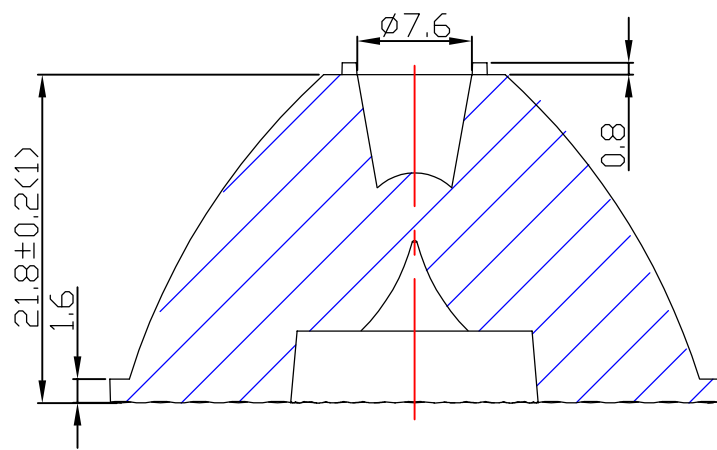
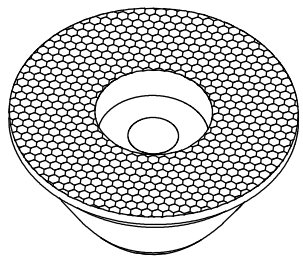
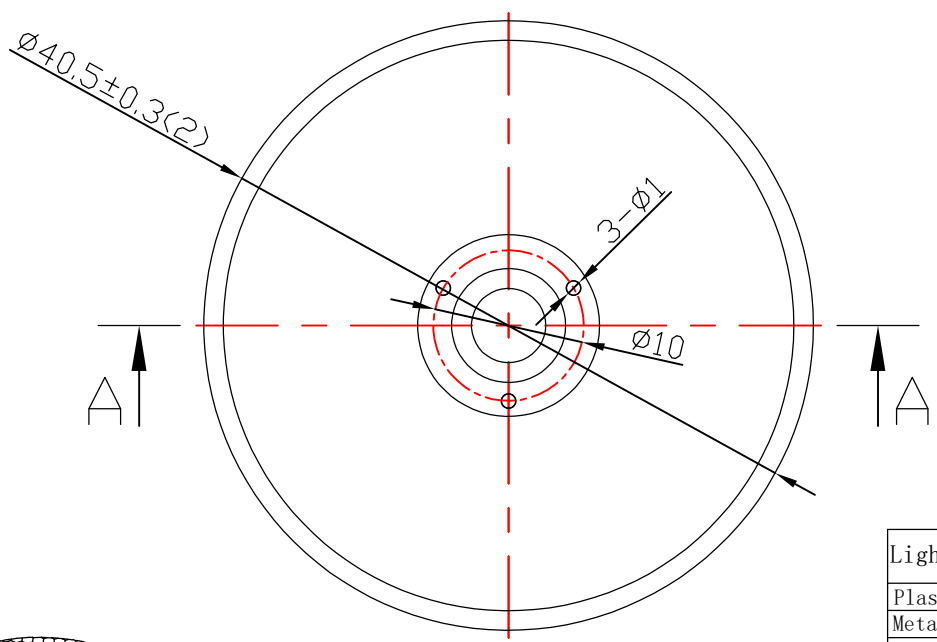


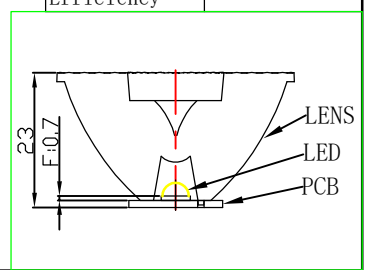
table for unmentioned tolerance in the drawing (unit: mm)					
0-5	5-30	30-120	120-250	250-400	400-700
±0.15	±0.2	±0.5	±0.8	±1.5	±2



A - A



Light Source	CREE XML COLOR
PlasticHolder	
Metal Adaptor	
Design Angle	12° ±3°
Measured Angle	12.4°
Efficiency	



				Material: PMMA		Nata® NATA Lighting Co.,Ltd	
						Customer Item	
						Customer Code	NT
						Product Number	
						Product Name	CR01D04112CC
Mark	Amended Times	Amended Content		Signature	Amended Date		
Controll	Version	A0	Design Version	K0	Client Version		
Designer		Drawing by		Proportion	1:1		
Technology		Auditor		View			
Approval		Date		Page	Total Page		
		2019.05.20					