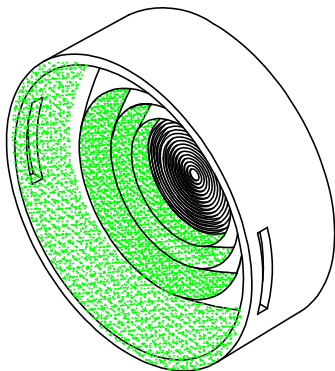
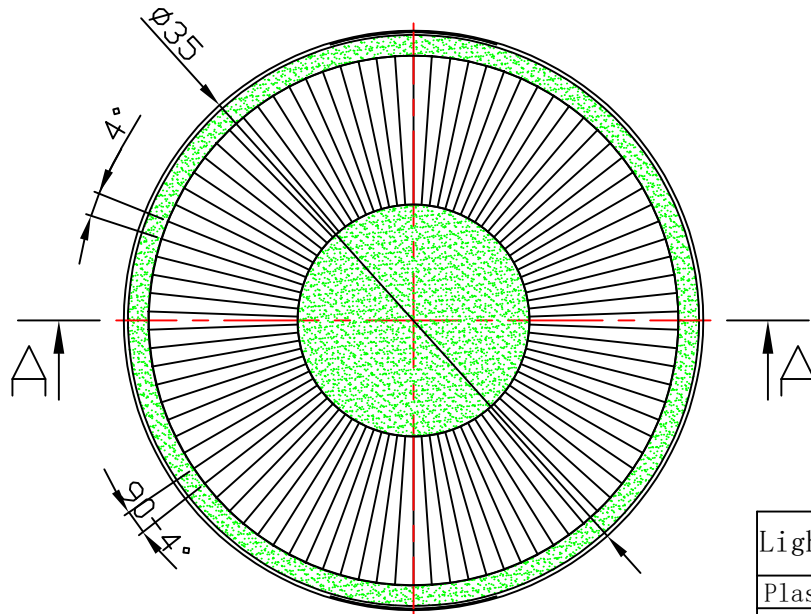
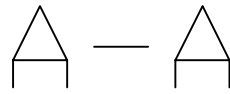
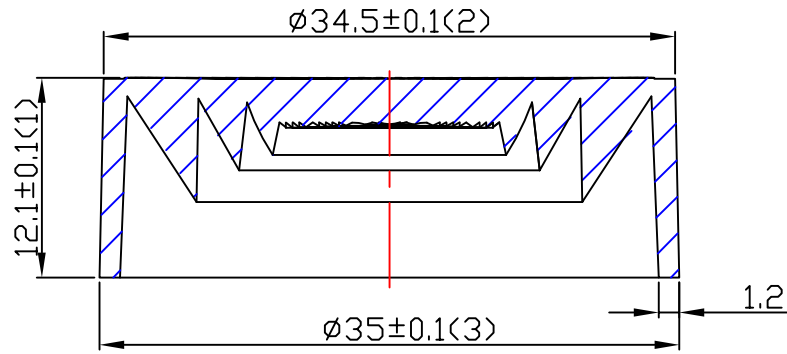


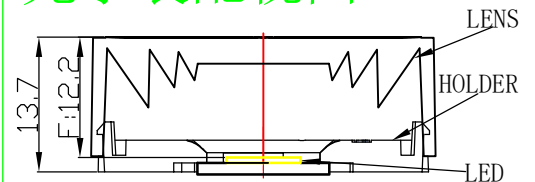
table for unmentioned tolerance in the drawing
(unit: mm)

0-5	5-30	30-120	120-250	250-400	400-700
±0.15	±0.2	±0.5	±0.8	±1.5	±2



Light Source	CREE CXA1304
PlasticHolder	92.70.110.00
Metal Adaptor	
Design Angle	$24^\circ \pm 3^\circ$
Measured Angle	24.4°
Efficiency	

光学装配视图



Mark	Amended Times	Amended Content		Signature	Amended Date
Controll Version	A0	Design Version	K0	Client Version	
Designer		Drawing by		Proportion	1:1
Technology		Auditor		View	
Approval		Date	2018.06.26	Page	Total Page

Material:PC

Nata[®]
NATA Lighting Co.,Ltd

Customer Item	
Customer Code	NT
Product Number	
Product Name	CRO1D03524BM