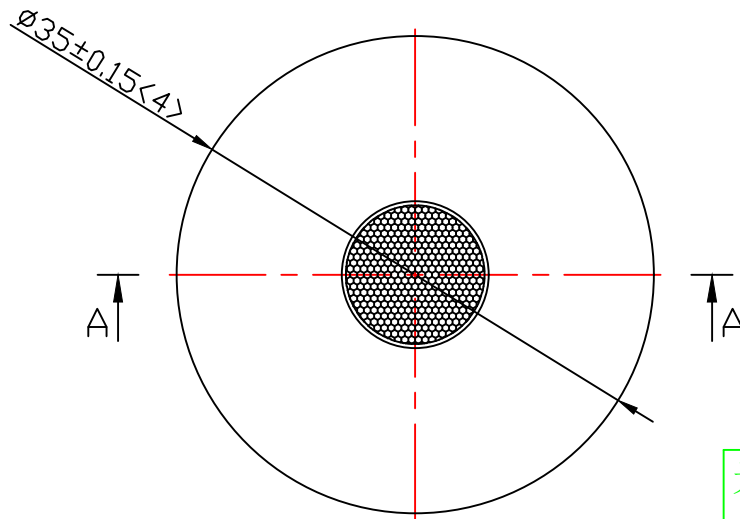
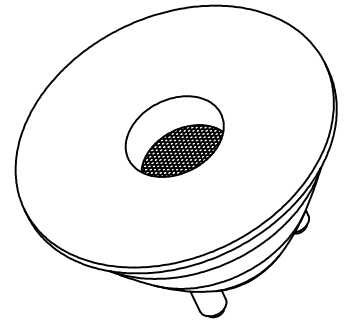
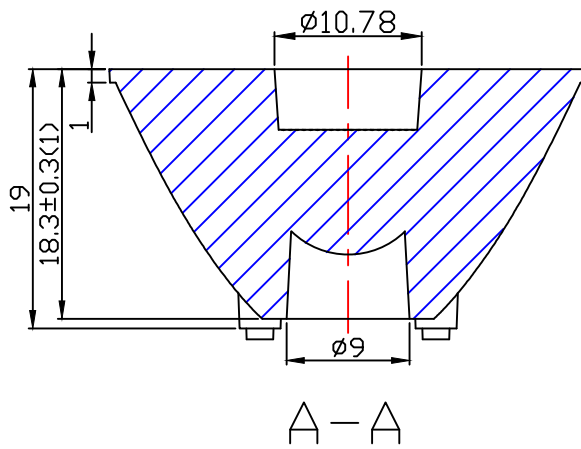
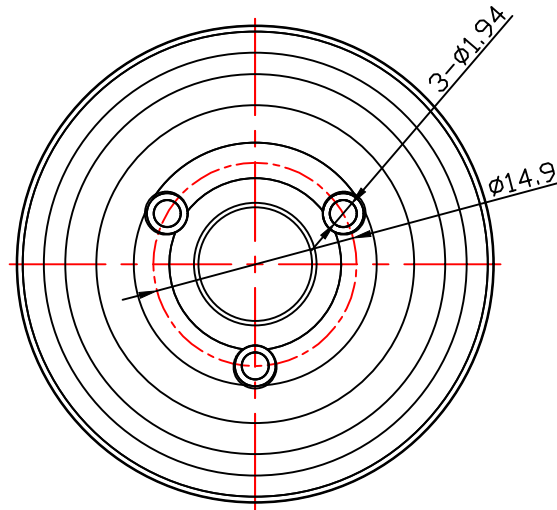
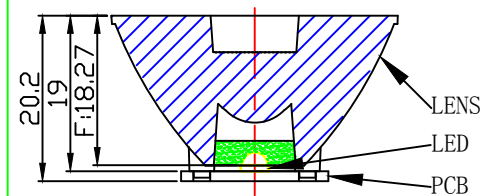


table for unmentioned tolerance in the drawing (unit: mm)					
0-5	5-30	30-120	120-250	250-400	400-700
±0.15	±0.2	±0.5	±0.8	±1.5	±2



Light Source	CREE XPE2
Plastic Holder	
Metal Adaptor	
Design Angle	6° ±1°
Measured Angle	5.9°
Efficiency	

光学装配视图



Material: PMMA

**Nata**<sup>®</sup>  
NATA Lighting Co., Ltd

Mark	Amended Times	Amended Content			Signature	Amended Date	Customer Item		
Controll Version	A0	Design Version	K0	Client Version		Proportion	1:1	Customer Code	NT
Designer		Drawing by		View				Product Number	
Technology		Auditor		Page		Total Page		Product Name	CR01D03506BV
Approval		Date	2018.06.26						