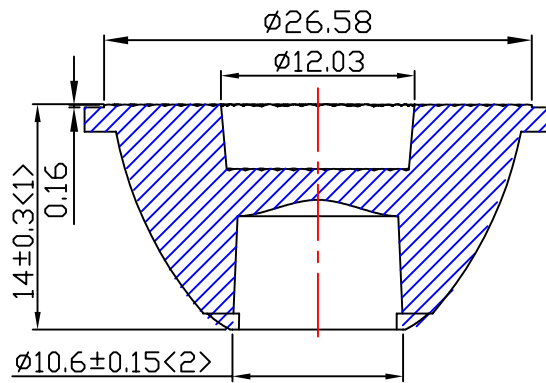
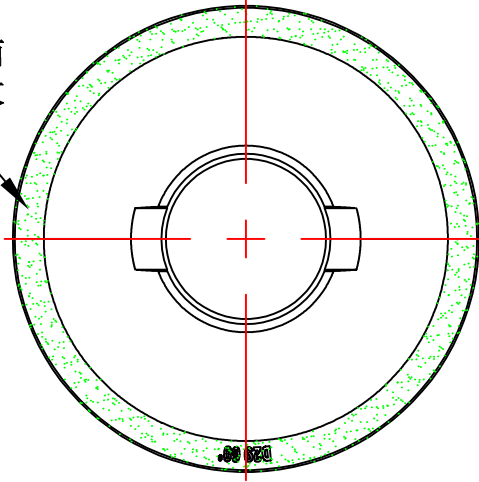
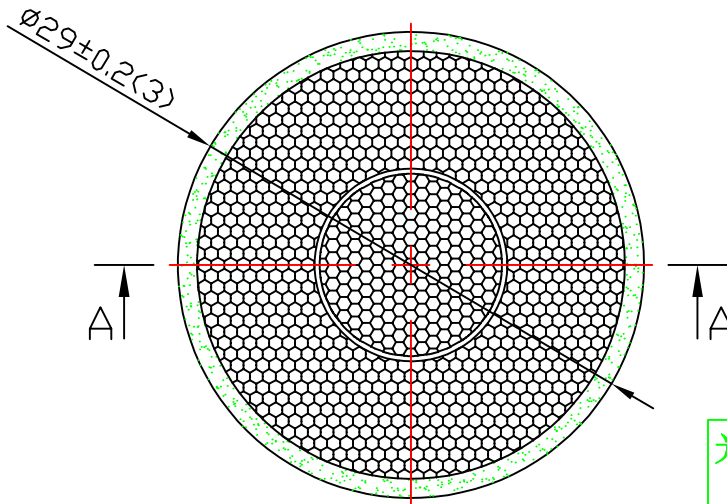


table for unmentioned tolerance in the drawing (unit: mm)					
0-5	5-30	30-120	120-250	250-400	400-700
±0.15	±0.2	±0.5	±0.8	±1.5	±2

边缘正反面
做光学晒纹

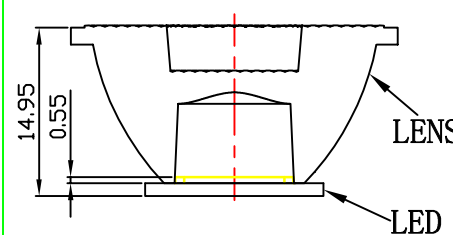


A-A



Light Source	CREE CXA15xx
Plastic Holder	
Metal Adapter	
Design Angle	$60^\circ \pm 5^\circ$
Measured Angle	60.7°
Efficiency	

光学装配示意图



Material: PMMA

Nata[®]
NATA Lighting Co., Ltd

Customer Item D29H12.8透镜

Customer Code NT

Product Number

Product Name CR01D02960AC

Mark	Amended Times	Amended Content		Signature	Amended Date
Controll Version	AO	Design Version	KO	Client Version	
Designer		Drawing by		Proportion	1:1
Technology		Auditor		View	
Approval		Date	2010-09-25	Page	Total Page