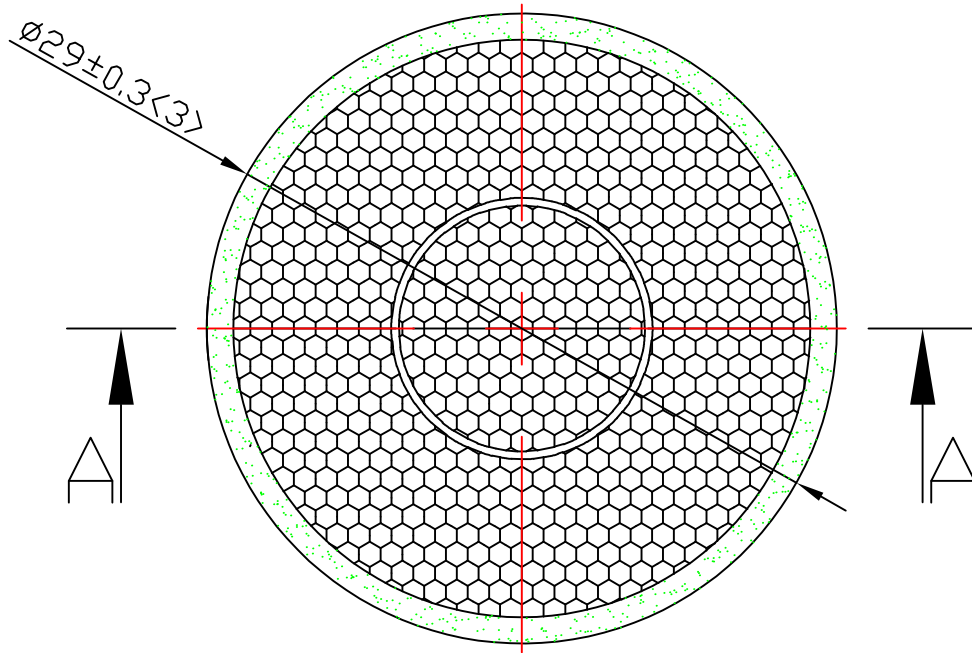
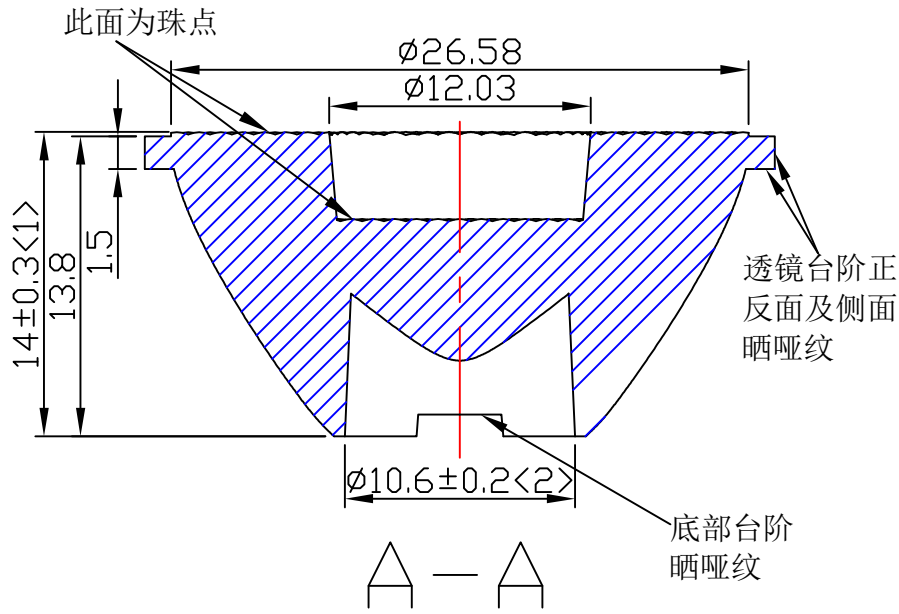
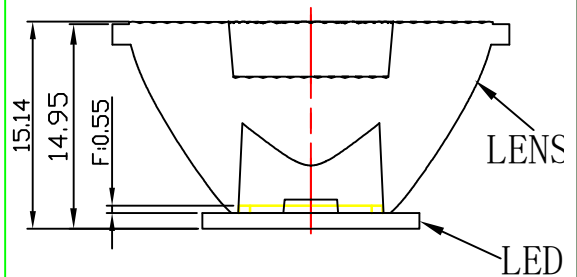


table for unmentioned tolerance in the drawing (unit: mm)					
0-5	5-30	30-120	120-250	250-400	400-70
±0.15	±0.2	±0.5	±0.8	±1.5	±2



Light Source	CREE CXA1512
PlasticHolder	
Metal Adaptor	
Design Angle	$35^\circ \pm 3^\circ$
Measured Angle	$35.1^\circ$
Efficiency	

### 光学装配示意图



Material: PMMA

**Nata**<sup>®</sup>  
**NATA Lighting Co., Ltd**

Mark	Amended Times	Amended Content		Signature	Amended Date
Controll Version	A0	Design Version	K0	Client Version	
Designer		Drawing by		Proportion	1:1
Technology		Auditor		View	
Approval		Date	2019.04.24	Page	Total Page

Customer Item	
Customer Code	NT
Product Number	
Product Name	CR01D02935AC