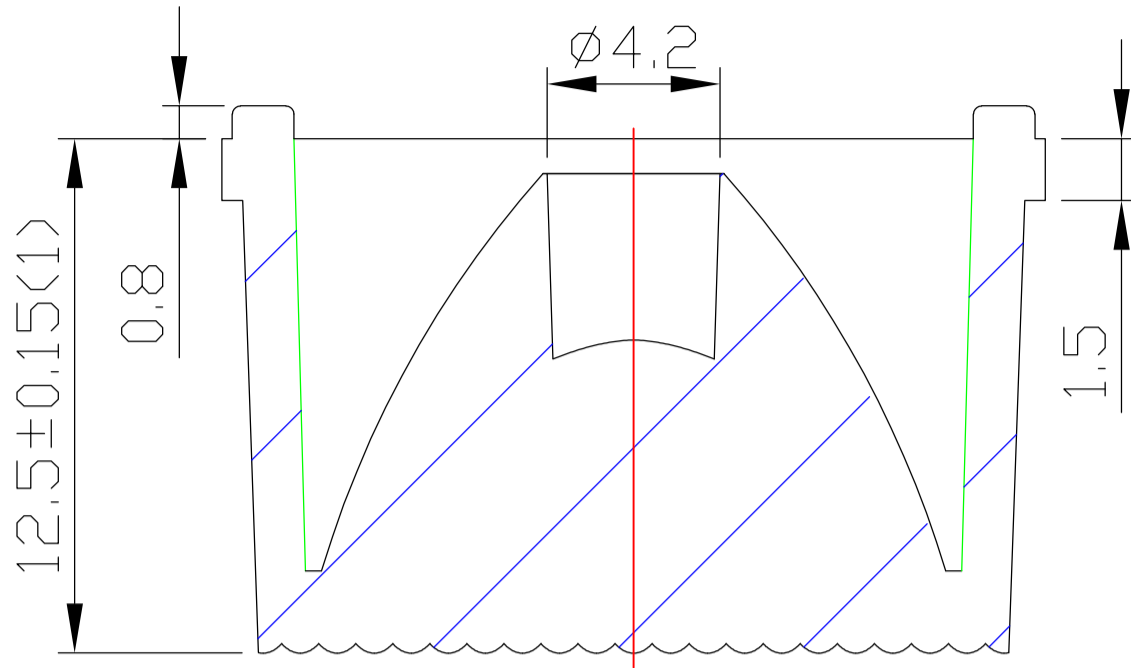
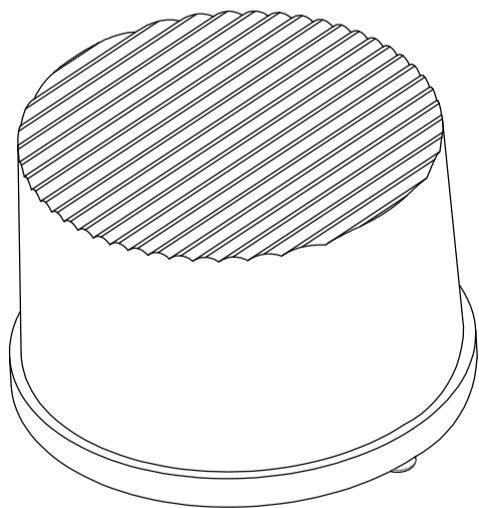
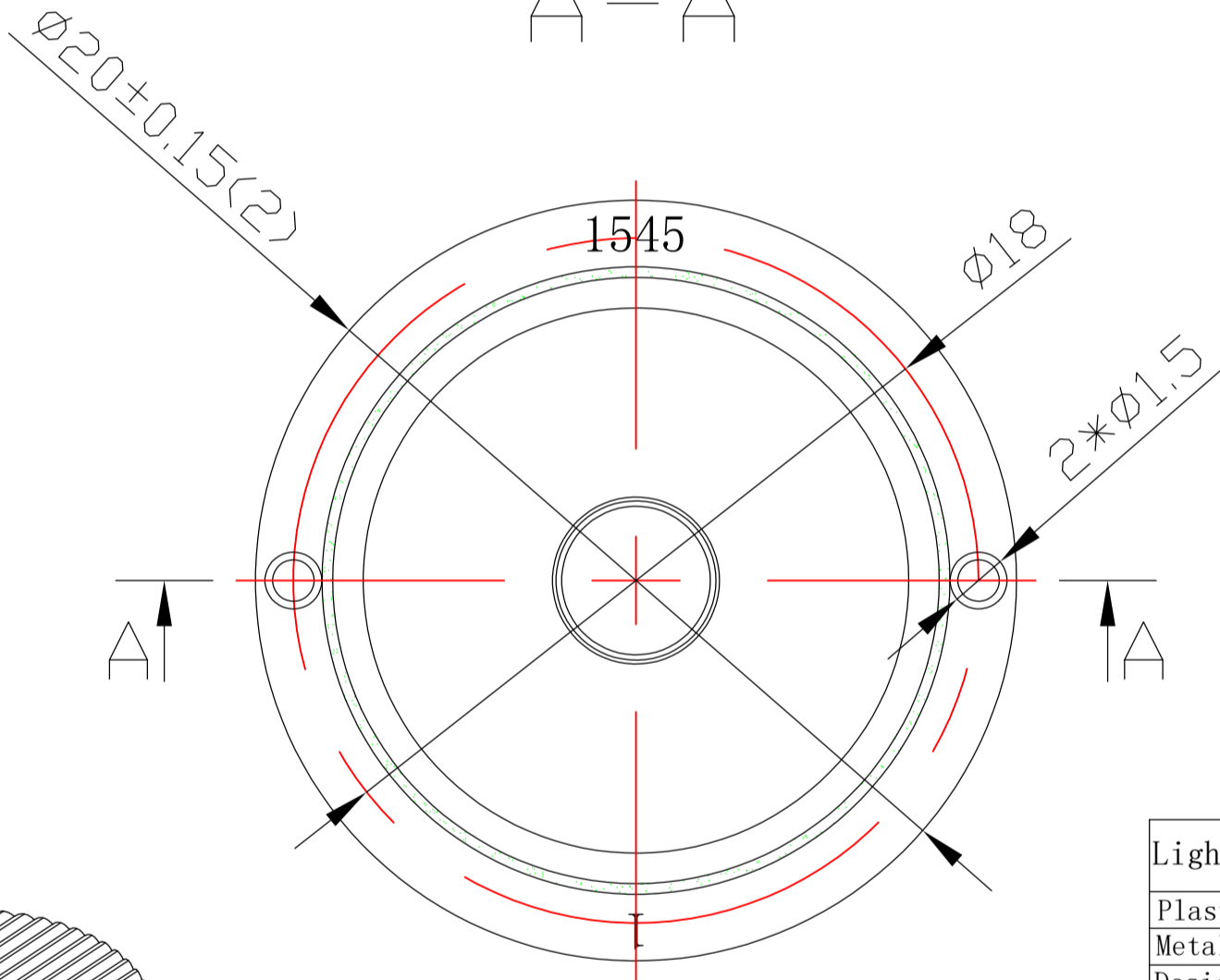


table for unmentioned tolerance in the drawing (unit: mm)					
0-5	5-30	30-120	120-250	250-400	400-700
±0.15	±0.2	±0.5	±0.8	±1.5	±2

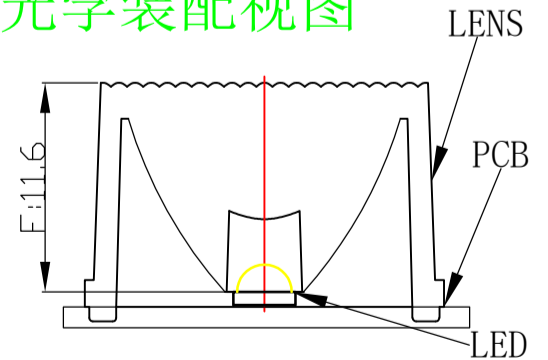


A - A



Light Source	CREE XPE2
PlasticHolder	
Metal Adaptor	
Design Angle	15° *45° ±3'
Measured Angle	12.1°
Efficiency	

光学装配视图



Material:PMMA

Nata[®]
NATA Lighting Co.,Ltd

Mark	Amended Times	Amended Content	Signature	Amended Date
Controll Version	A0	Design Version KO	Client Version	
Designer		Drawing by	Proportion	1:1
Technology		Auditor	View	
Approval		Date	2019.06.17	Page Total_Page_

Customer Item	
Customer Code	NT
Product Number	
Product Name	CR01D0201545BW