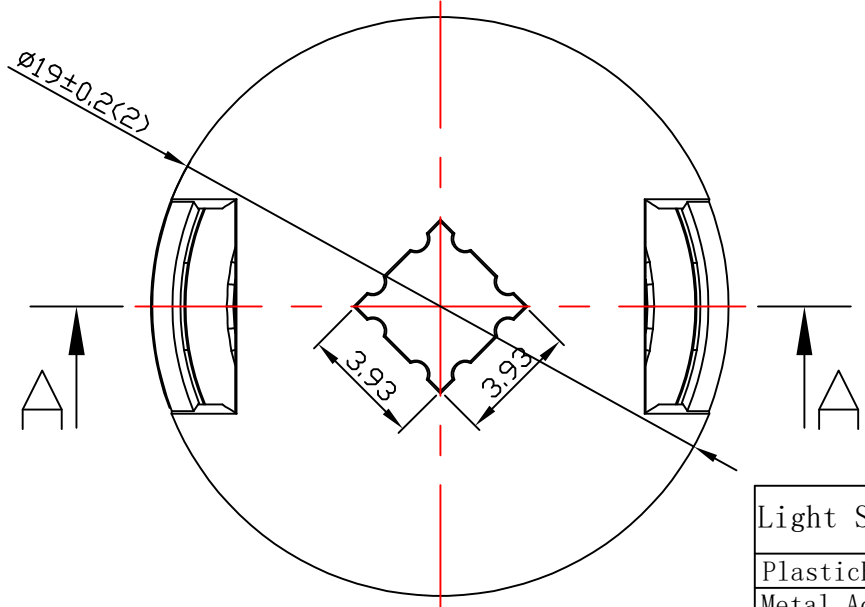
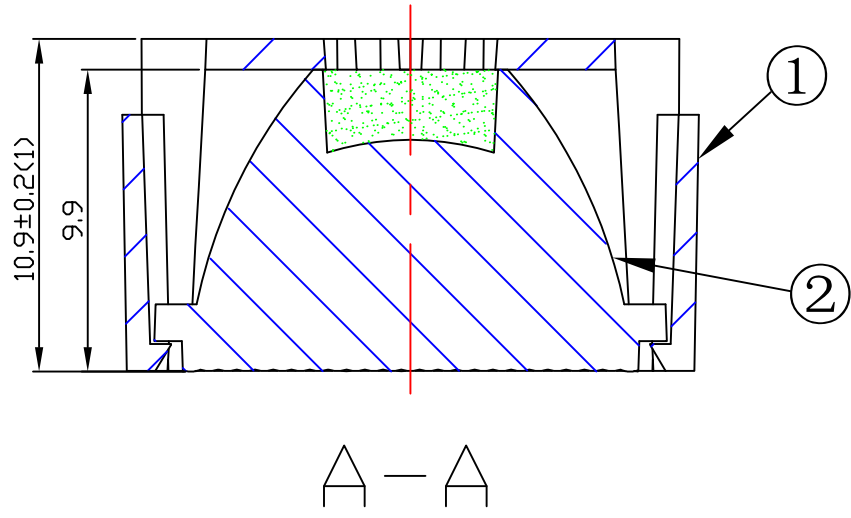
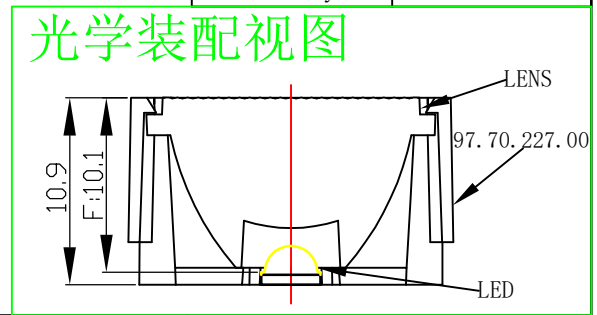
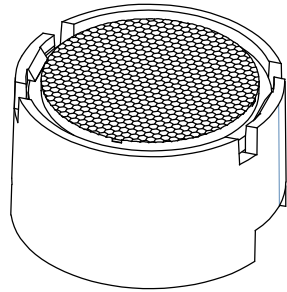


Product bill of material				
Serial number	material name	Masterial number	NO.	Describe
①	CRO1AA透镜支架	97.70.227.00	1	Material:PC
②	CR01D01740AA	60.0011.000	1	Material:PMMA

table for unmentioned tolerance in the drawing (unit: mm)					
0-5	5-30	30-120	120-250	250-400	400-700
±0.15	±0.2	±0.5	±0.8	±1.5	±2



Light Source	CREE XP-G2
PlasticHolder	
Metal Adaptar	
Design Angle	$20^\circ \pm 3^\circ$
Measured Angle	22°
Efficiency	



Mark	Amended Times	Amended Content	Signature	Amended Date
Controll Version		Design Version	Client Version	
Designer		Drawing by	Proportion	1:1
Technology		Auditor	View	
Approval		Date	Page	Total Page

组装图

Nata[®]
NATA Lighting Co.,Ltd

Customer Item	
Customer Code	NT
Product Number	
Product Name	CR01D01740AA-N