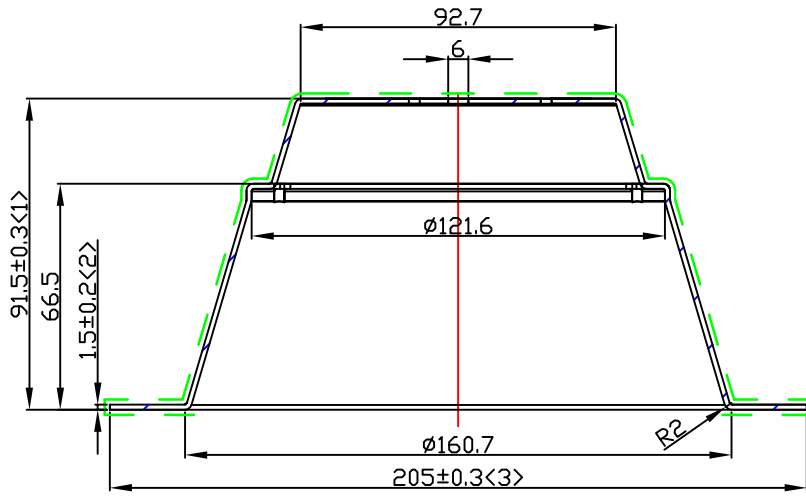
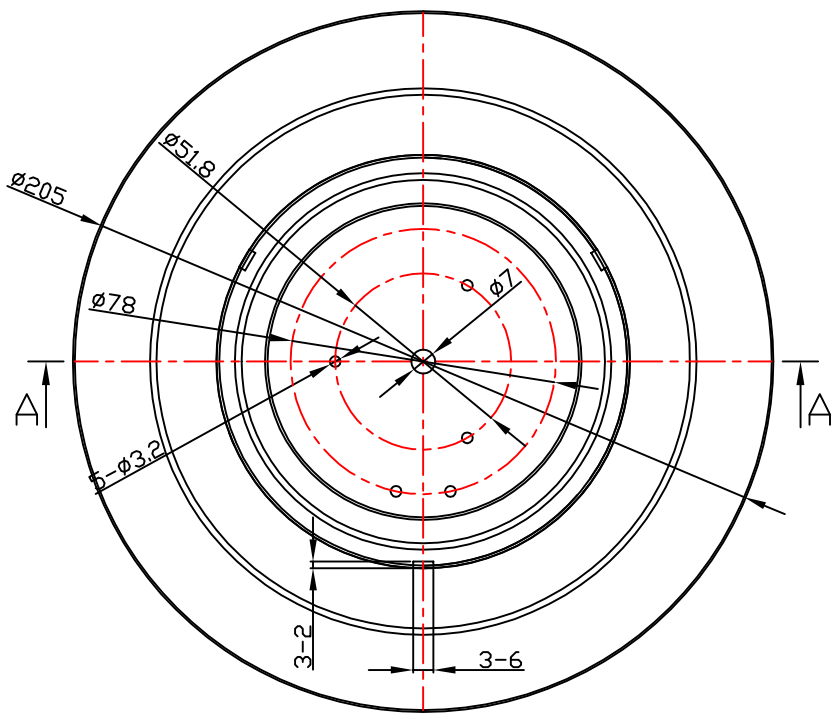


table for unmentioned tolerance in the drawing (unit: mm)			punch angle tolerance in the drawing (unit:degree)		
0-5	5-30	30-120	0-10	10-50	50-120
±0.15	±0.2	±0.5	±1°	±0.5°	±0.3°
120-250	250-400	400-700	120-250	250-360	360 above
±0.8	±1.5	±2	±0.2°	±0.166°	±0.083°



A - A



					Material:T=1.2 1070AL		<b>Nata®</b>		Customer Item	
							<b>NATA Lighting Co.,Ltd</b>		Customer Code	
									NT	
									Product Number	
									Product Name	
									8366-AK	
Mark	Amended Times	Amended Content			Signature	Amended Date				
Controll Version	A0	Design Version	K0		Client Version					
Designer		Drawing by			Proportion	1:1				
Technology		Auditor			View					
Approval		Date	2019.06.18		Page	Total_Page_				