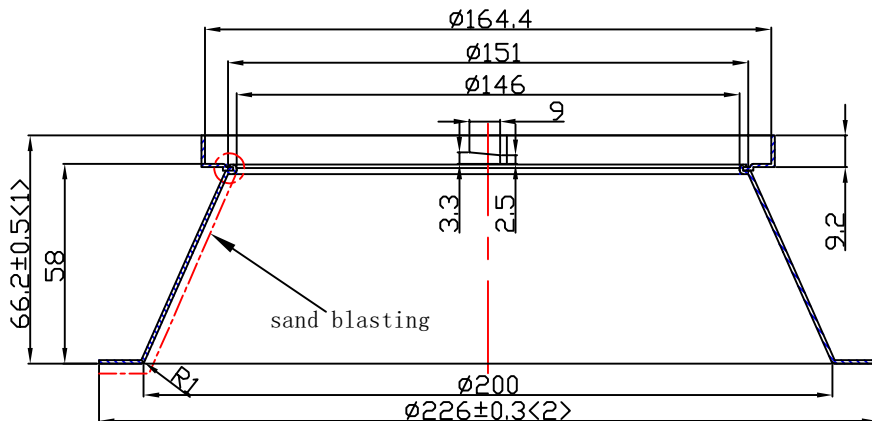


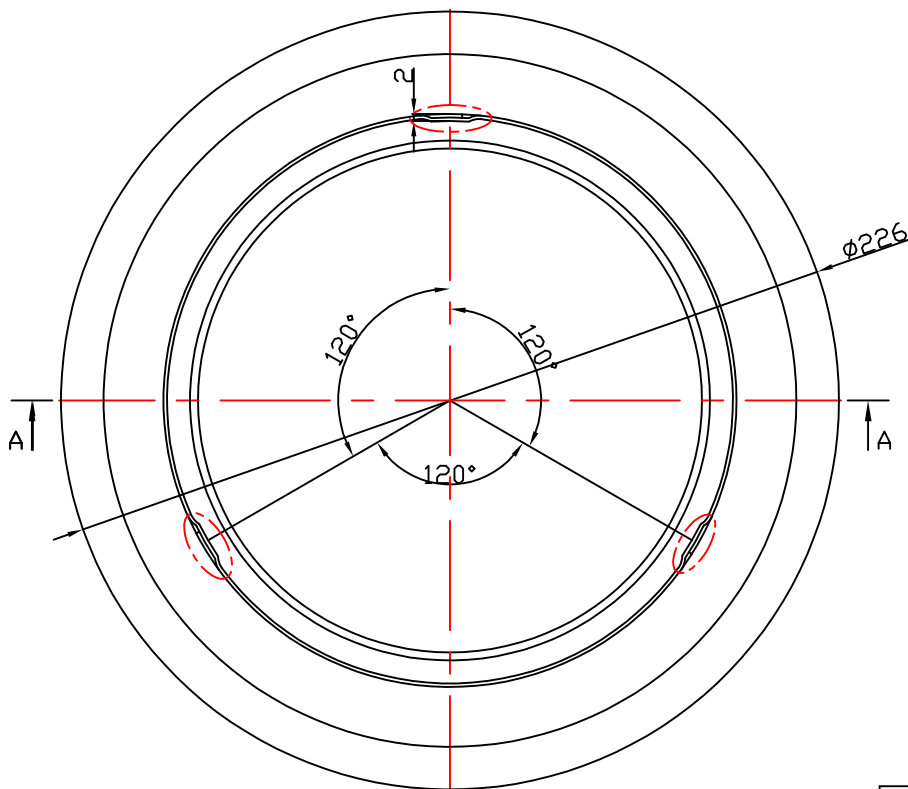
Product bill of material

Serial number	material name	Masterial number	NO.	Describe
①	8-0353-A	94.08.0353.000	1	Material:T=1.01070AL
②	6-0645-A	94.06.0645.000	1	Material:T=1.01070AL

table for unmentioned tolerance in the drawing (unit: mm)			punch angle tolerance in the drawing (unit:degree)		
0-5	5-30	30-120	0-10	10-50	50-120
±0.15	±0.2	±0.5	±1°	±0.5°	±0.3°
120-250	250-400	400-700	120-250	250-360	360 abov
±0.8	±1.5	±2	±0.2°	±0.166°	±0.083°



A-A



Light Source	PHILIPS DLM FS 20001r
PlasticHolder	
Metal Adaptor	
Design Angle	60° ±5°
Measured Angle	
Efficiency	

				<b>Nata<sup>®</sup></b> <b>NATA Lighting Co.,Ltd</b>			
				Customer Item			
				Customer Code		NT	
				Product Number			
				Product Name		8-0351-M	
Mark	Amended Times	Amended Content		Signature	Amended Date		
Control Version	AO	Design Version	KO	Client Version			
Designer	Drawing by		Proportion	1:1			
Technology	Auditor		View				
Approval	Date	2018. 10. 29	Page	Total Page			