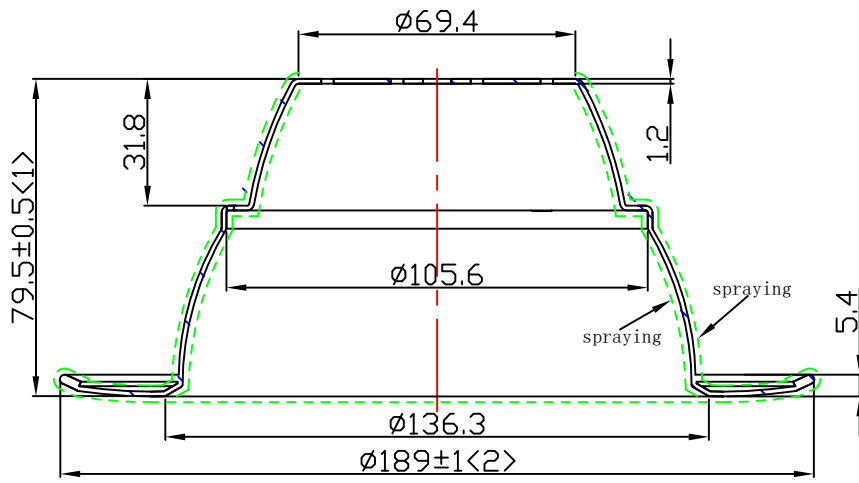
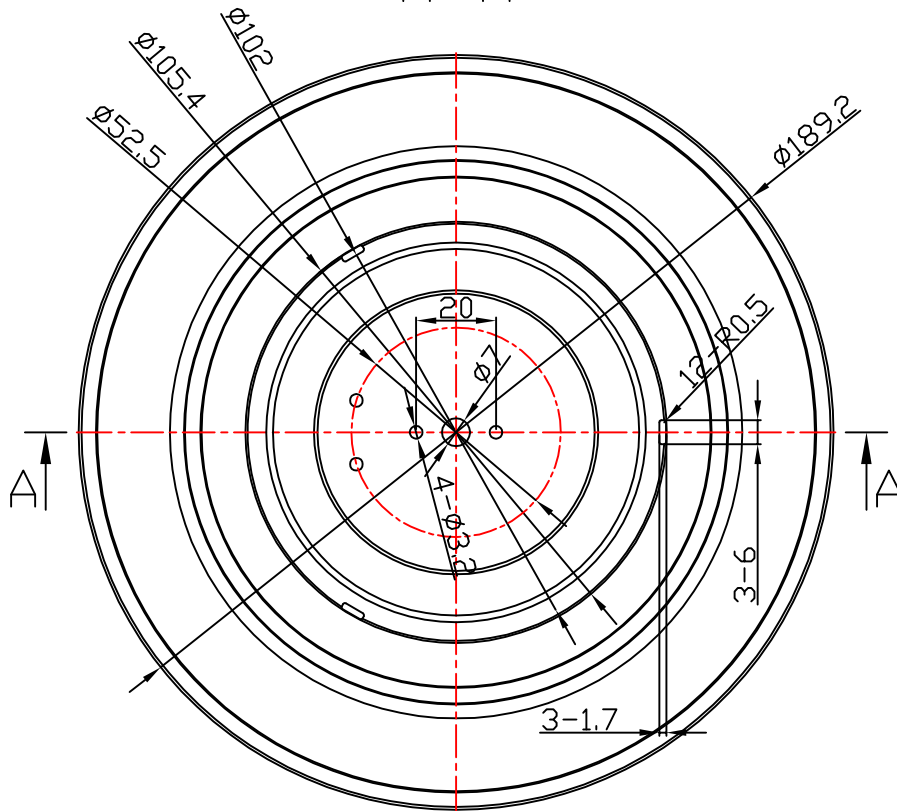


table for unmentioned tolerance in the drawing (unit: mm)			punch angle tolerance in the drawing (unit:degree)		
0-5	5-30	30-120	0-10	10-50	50-120
±0.15	±0.2	±0.5	±1°	±0.5°	±0.3°
120-250	250-400	400-700	120-250	250-360	360 above
±0.8	±1.5	±2	±0.2°	±0.166°	±0.083°



A-A



				Material:T=1.2 1070AL				Nata[®] NATA Lighting Co.,Ltd		
										Customer Item
Mark	Amended Times	Amended Content		Signature	Amended Date				Customer Code	NT
Control Version	AO	Design Version	K0	Client Version					Product Number	
Designer	Drawing by			Proportion	1:1				Product Name	7613-P
Technology	Auditor			View						
Approval	Date		2019.06.18	Page	Total_Page_					