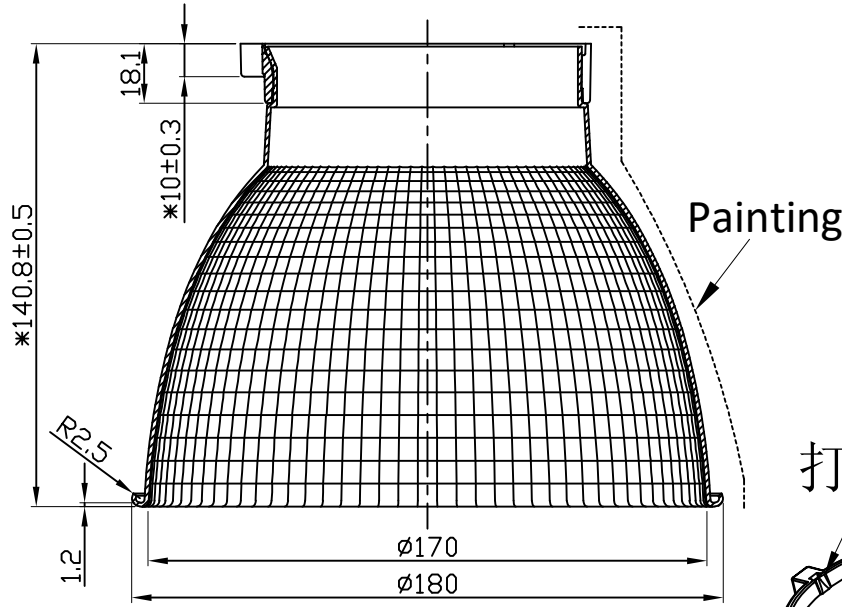
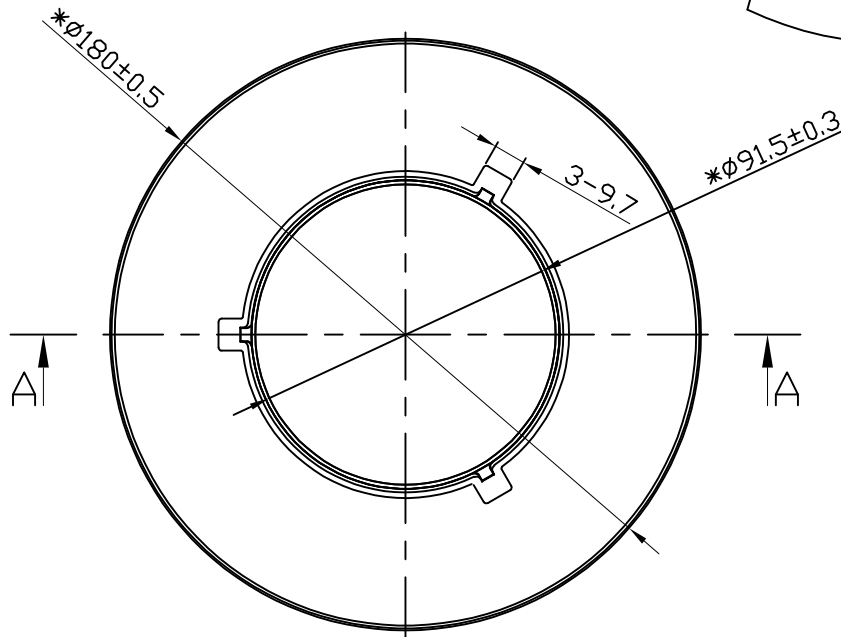


DIMENSION TOLERANCE TABLE (UNLESS OTHERWISE STATED) (MM)				PUNCH TOLERANCE TABLE (UNLESS OTHERWISE STATED) (ANGLE)		
> 0-5	> 5-30	> 30-90	> 90-150	0-10	10-50	50-120
±0.15	±0.2	±0.4	±0.5	±1°	±0.5°	±0.3°
> 150-250	> 250-400	> 400-700		120-250	250-360	
±0.8	±1.5	±2		±0.2°	±0.166°	

\*\*\* KEY CONTROL DIMENSION

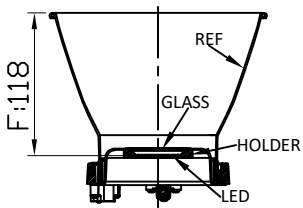


A-A



LIGHT SOURCE	COB 200W LES 33mm (2700K-6000K)
PLASTIC HOLDER	
METAL ADAPTAR	
DESIGNED B.A.	60°±5°
MEASURED B.A.	60.6°
EFFICIENCY	

光学装配示意图



标记 MARK	1	更改内容 MODIFICATIONS	签名 SIGNED BY	更改日期 MODIF. DATE
设计 DESIGNER		制图 DRAWN BY	比例 SCALE	1:1
工艺 TECHNICIAN		审核 CHECKED BY	视角 3RD ANGLE PROJECTION	
批准 APPROVED BY		日期 DATE (DD-MM-YYYY)	页数 PAGE	SHEET 1 OF 3
		11-10-2022		

MATERIAL: T=1.2MM 1070AL FINISH: ANDOIZING+Painting		P/N: 91.07.0817.000	版本/REV KO
产品名称 PRODUCT NAME		7-0817-M	
客户代号 CUSTOMER ID		NT	
客户编号 CUSTOMER CODE			
ENGINEERING DRAWING		Nata®	