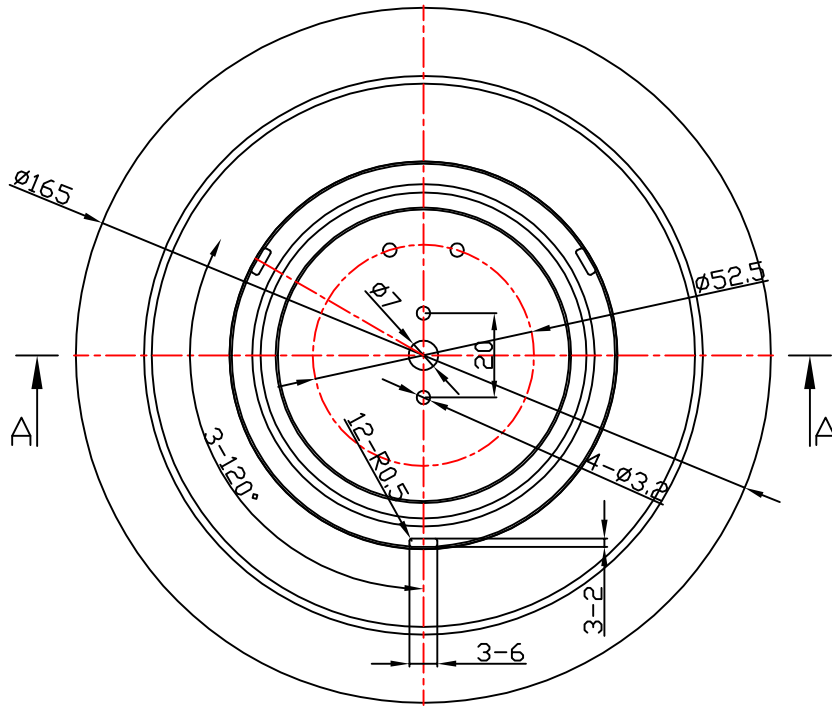
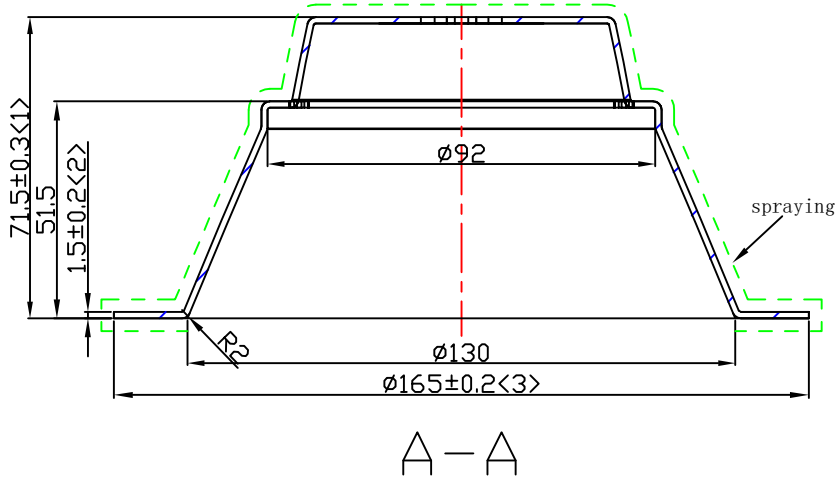


table for unmentioned tolerance in the drawing (unit: mm)			punch angle tolerance in the drawing (unit:degree)		
0-5	5-30	30-120	0-10	10-50	50-120
±0.15	±0.2	±0.5	±1°	±0.5°	±0.3°
120-250	250-400	400-700	120-250	250-360	360 above
±0.8	±1.5	±2	±0.2°	±0.166°	±0.083°



				Material:T=1.5 1070AL				Nata[®]	
								NATA Lighting Co.,Ltd	
Mark	Amended Times	Amended Content		Signature	Amended Date	Customer Item			
Controll Version	AO	Design Version	KO	Client Version		Customer Code		NT	
Designer		Drawing by		Proportion	1:1	Product Number			
Technology		Auditor		View		Product Name		6684-AK	
Approval		Date	2019. 04. 08	Page	Total Page_				