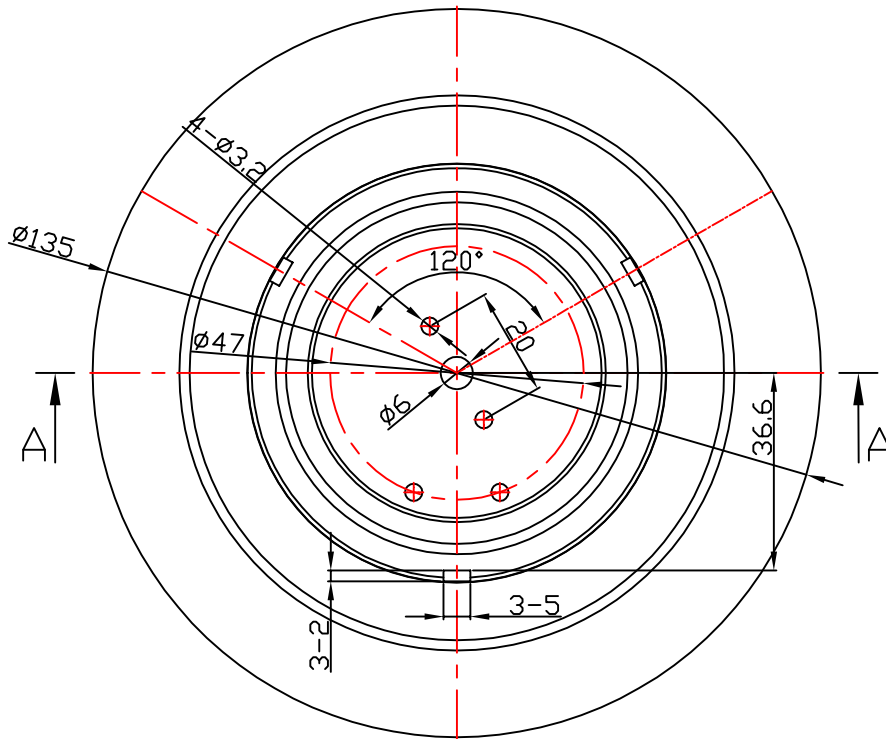
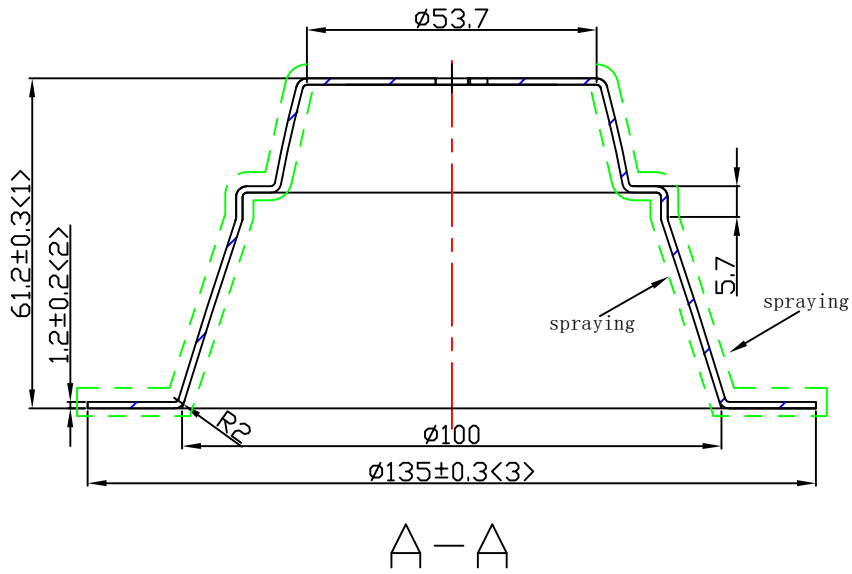


table for unmentioned tolerance in the drawing (unit: mm)			punch angle tolerance in the drawing (unit:degree)		
0-5	5-30	30-120	0-10	10-50	50-120
±0.15	±0.2	±0.5	±1°	±0.5°	±0.3°
120-250	250-400	400-700	120-250	250-360	360 above
±0.8	±1.5	±2	±0.2°	±0.166°	±0.083°



					Material: T=1.2 1070AL		<b>Nata</b> <sup>®</sup> <b>NATA Lighting Co.,Ltd</b>	
Mark	Amended Times	Amended Content			Signature	Amended Date	Customer Item	
Control Version	A0	Design Version	K0		Client Version		Customer Code	NT
Designer		Drawing by		Proportion	1:1	Product Number		
Technology		Auditor		View		Product Name	5944-P	
Approval		Date	2019. 06. 18	Page	Total Page			