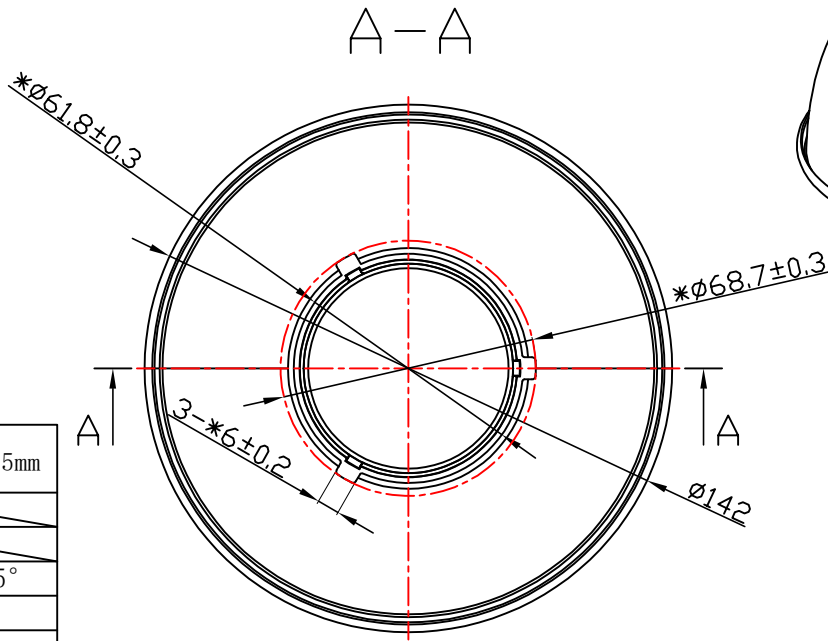
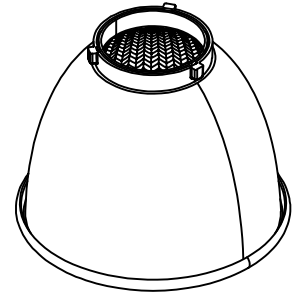
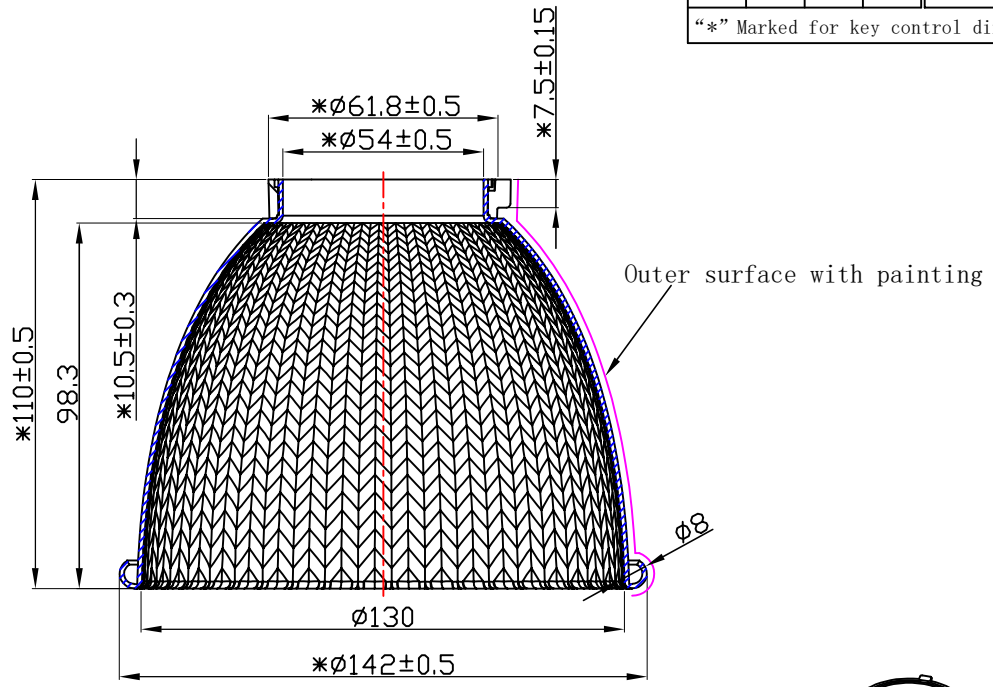


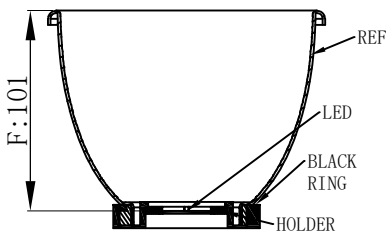
table for unmentioned tolerance in the drawing (unit: mm)				punch angle tolerance in the drawing (unit:degree)		
> 0-5	> 5-30	> 30-90	> 90-150	0-10	10-50	50-120
±0.15	±0.2	±0.4	±0.5	±1°	±0.5°	±0.3°
> 150-250	> 250-400	> 400-700		120-250	250-360	360 above
±0.8	±1.5	±2		±0.2°	±0.166°	±0.085°

"*" Marked for key control dimensions



Light Source	LES为 $\phi 22.5\text{mm}$
PlasticHolder	
Metal Adaptor	
Design Angle	$55^\circ \pm 5^\circ$
Measured Angle	50.6°
Efficiency	

ASSEMBLY DRAWINGS



- Technical requirements:
1. Material: $t=1.2\text{mm}$ 1090AL.
 2. Surface treatment: Outer surface with painting, interior standard light.
 3. Product untolerance reference untolerance table.

				P/N: 91.05.1211.000		版本/REV KO
				产品名称 Product Name		5-1211-M
				客户代号 Customer Code		NT
				客户编号 Customer Item		标准罩 55°
1	处数	更改内容	签名	更改日期	方案图	
Mark	Amended Times	Amended Content	Signature	Amended Date	Engineering drawings	
设计		制图	比例	1:1		
Designer		Drawing by	比例	1:1		
工艺		审核	视角			
Technology		Auditor	View			
批准		日期	页数	共1页 第1页	图档路径	
Approval		Date	Page	共1页 第1页	The path of file	
				F:\gc16\推广图纸\5-1211-M		Nata®