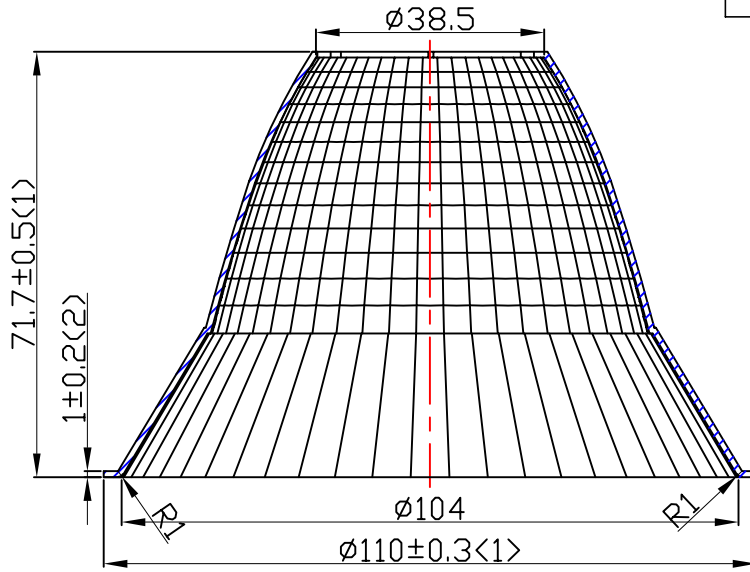
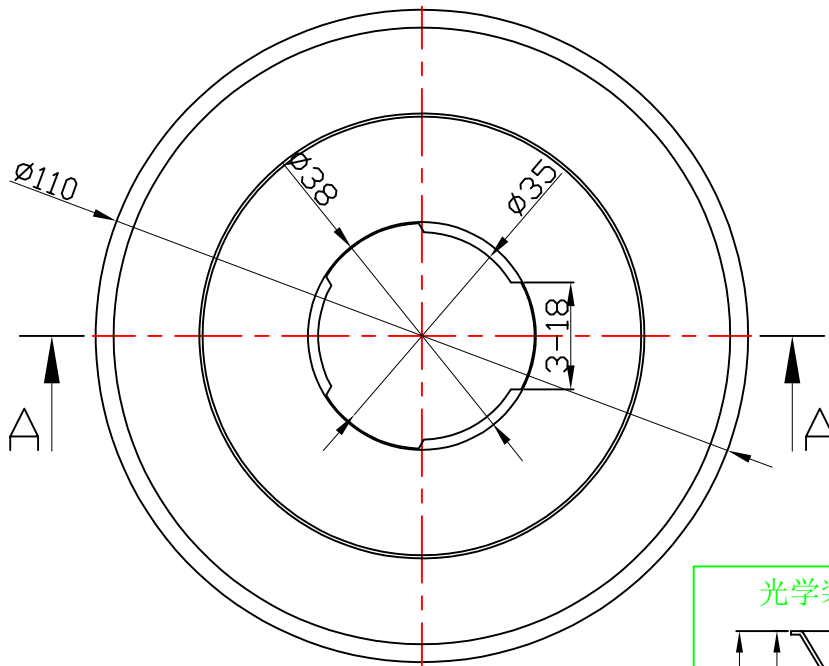


table for unmentioned tolerance in the drawing (unit: mm)			punch angle tolerance in the drawing (unit:degree)		
0-5	5-30	30-120	0-10	10-50	50-120
±0.15	±0.2	±0.5	±1°	±0.5°	±0.3°
120-250	250-400	400-700	120-250	250-360	360 above
±0.8	±1.5	±2	±0.2°	±0.166°	±0.083°

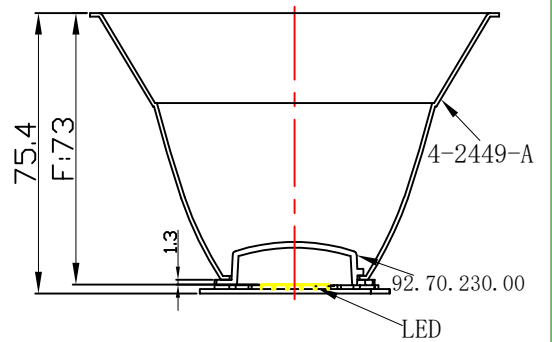


A-A



Light Source	LUMILEDS LUXEON 3030 2D
PlasticHolder	
Lens	92. 70. 230. 00
Design Angle	55° ±5°
Measured Angle	53°
Efficiency	

光学装配示意图



Material:1.0 1090AL

**Nata**<sup>®</sup>  
**NATA Lighting Co.,Ltd**

Mark	Amended Times	Amended Content		Signature	Amended Date
Controll Version	A0	Design Version	K2	Client Version	
Designer		Drawing by		Proportion	1:1
Technology		Auditor		View	
Approval		Date	2019. 09. 20	Page	Total_ Page_

Customer Item	4寸15W筒灯-55度
Customer Code	NT
Product Number	91. 04. 2449. 000
Product Name	4-2449-A