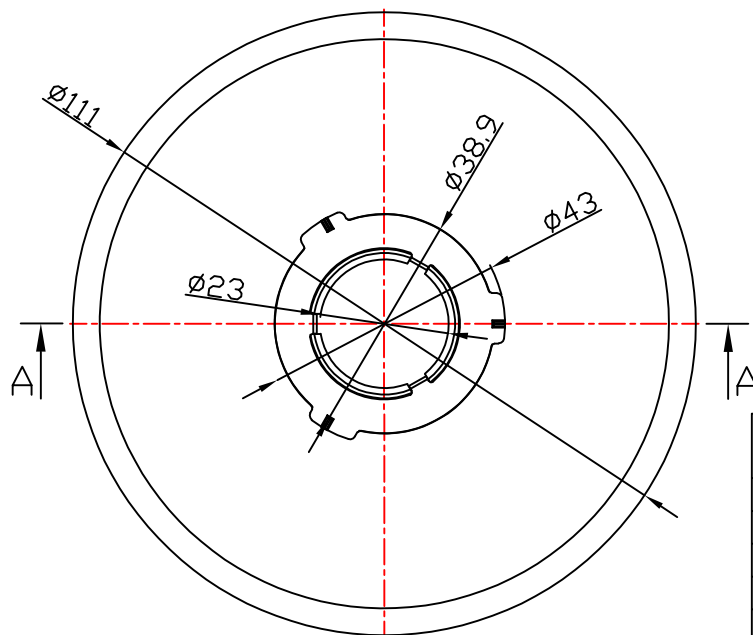
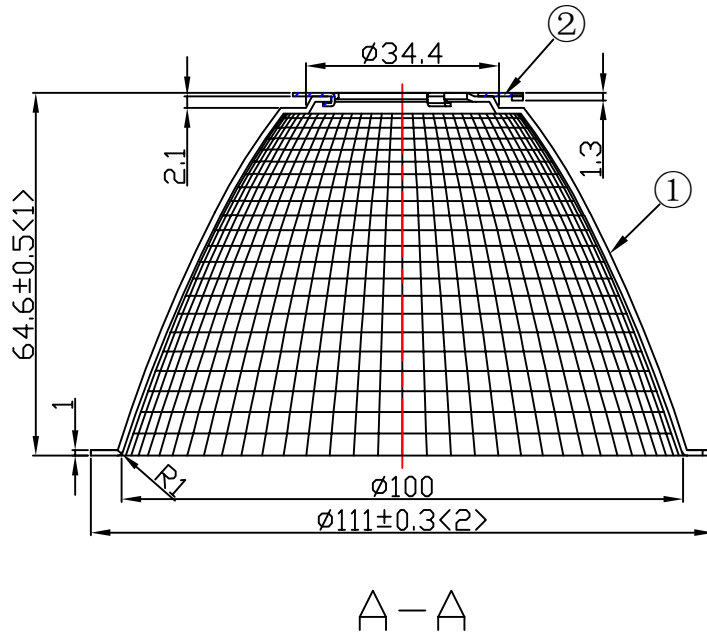
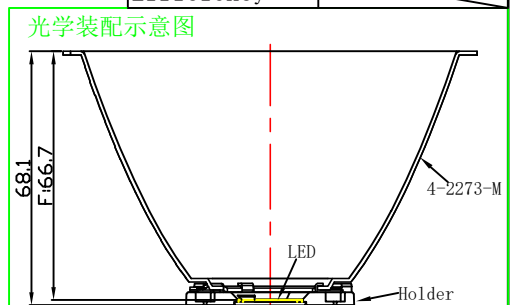


Product bill of material				
Serial number	material name	Material number	NO.	Describe
①	4-2274-A	94.04.2274.000	1	Material:T=1.0 1090AL
②	D43不锈钢卡环	97.76.358.00	1	Material:T=0.6 SUS304

table for unmentioned tolerance in the drawing (unit: mm)			punch angle tolerance in the drawing (unit: degree)		
0-5	5-30	30-120	0-10	10-50	50-120
±0.15	±0.2	±0.5	±1°	±0.5°	±0.3°
120-250	250-400	400-700	120-250	250-360	360 above
±0.8	±1.5	±2	±0.2°	±0.166°	±0.083°



Light Source	CITIZEN CLU038 LES14.5
PlasticHolder	92.70.131.00
Metal Adaptor	
Design Angle	11±3°
Measured Angle	10°
Efficiency	



					<p><b>Nata</b><sup>®</sup> <b>NATA Lighting Co.,Ltd</b></p>	
Mark	Amended Times	Amended Content		Signature	Amended Date	Customer Item
Control Version	A0	Design Version	K0	Client Version		Customer Code
Designer		Drawing by		Proportion	1:1	Product Number
Technology		Auditor		View		Product Name
Approval		Date	2018.07.01	Page	Total Page	4-2273-M