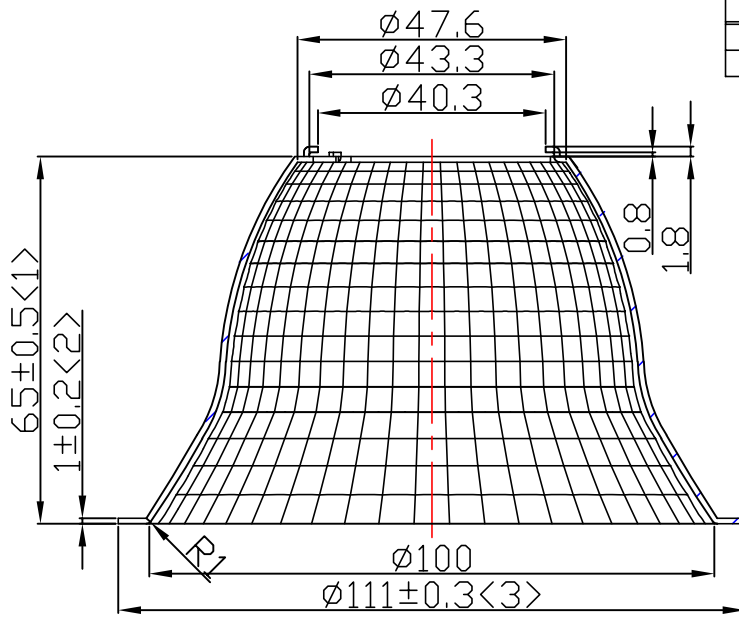
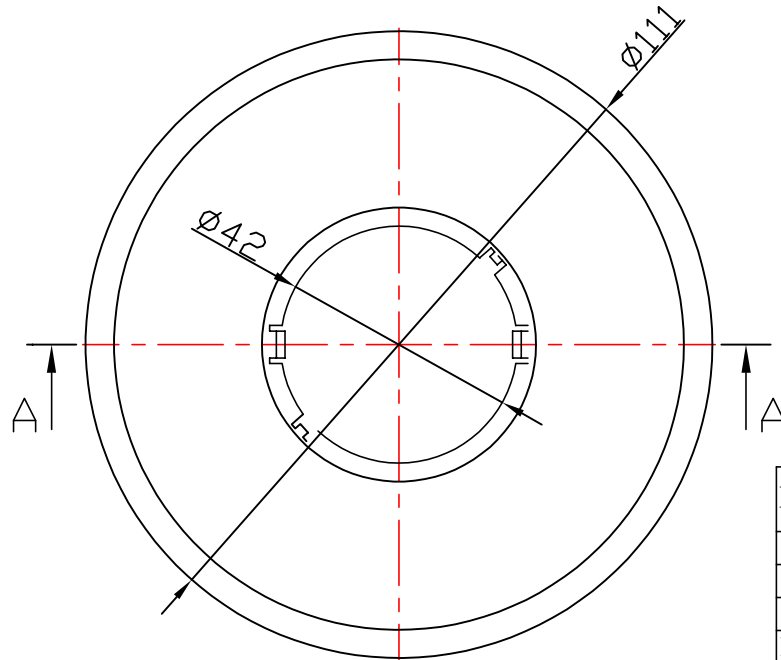


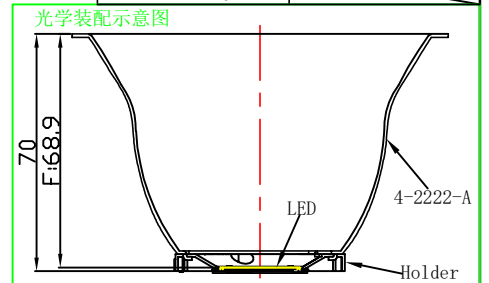
table for unmentioned tolerance in the drawing (unit: mm)			punch angle tolerance in the drawing (unit: degree)		
0-5	5-30	30-120	0-10	10-50	50-120
±0.15	±0.2	±0.5	±1°	±0.5°	±0.3°
120-250	250-400	400-700	120-250	250-360	360 above
±0.8	±1.5	±2	±0.2°	±0.166°	±0.083°



A-A



Light Source	BRIDGELUX V22B LES22
Plastic Holder	BJB 47.319.2030
Metal Adaptor	
Design Angle	$63 \pm 5^\circ$
Measured Angle	62.8°
Efficiency	



Material: T=1.0
1090AL

Nata[®]
NATA Lighting Co., Ltd

Mark	Amended Times	Amended Content		Signature	Amended Date	Customer Item	
Controll Version	A0	Design Version	K0	Client Version		Customer Code	NT
Designer		Drawing by		Proportion	1:1	Product Number	
Technology		Auditor		View		Product Name	4-2222-A
Approval		Date	2018.06.21	Page	Total Page		