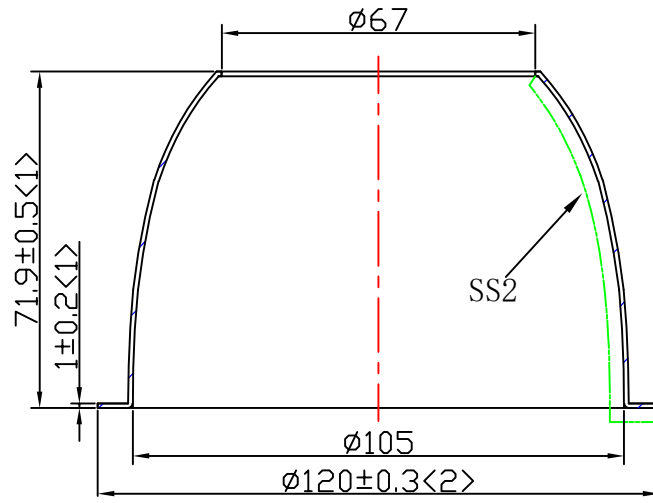
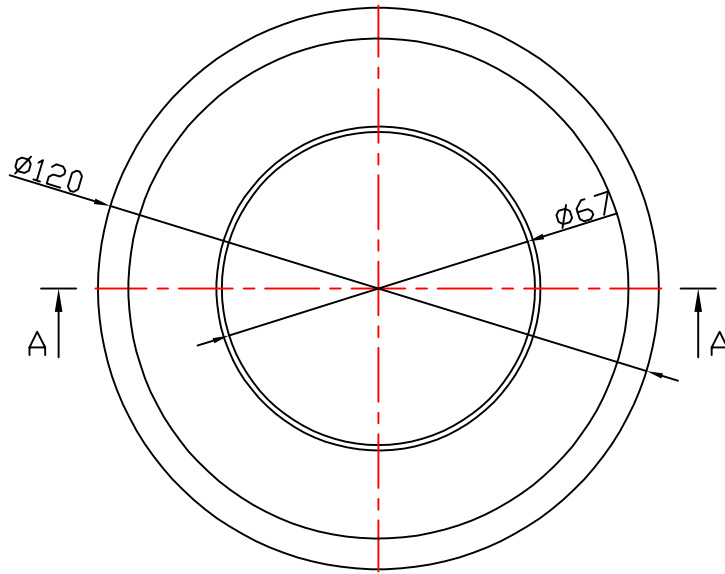


| table for unmentioned tolerance in the drawing (unit: mm) |         |         | punch angle tolerance in the drawing (unit:degree) |         |           |
|---|---------|---------|--|---------|-----------|
| 0-5   | 5-30    | 30-120  | 0-10   | 10-50   | 50-120    |
| ±0.15   | ±0.2    | ±0.5    | ±1°  | ±0.5°   | ±0.3°     |
| 120-250   | 250-400 | 400-700 | 120-250  | 250-360 | 360 above |
| ±0.8  | ±1.5    | ±2      | ±0.2°  | ±0.166° | ±0.083°   |



A-A



|                |                           |
|----------------|---------------------------|
| Light Source   | PHILIPS<br>DLM Flex LES64 |
| PlasticHolder  |                           |
| Metal Adaptor  |                           |
| Design Angle   | 74° ±5°                   |
| Measured Angle | 68.9°                     |
| Efficiency     |                           |

Material:T=1.0  
1090AL

**Nata**<sup>®</sup>  
**NATA Lighting Co.,Ltd**

|                  |               |                 |            |                |              |                |          |
|------------------|---------------|-----------------|------------|----------------|--------------|----------------|----------|
| Mark             | Amended Times | Amended Content |            | Signature      | Amended Date | Customer Item  |          |
| Controll Version | A0            | Design Version  | K0         | Client Version |              | Customer Code  | NT       |
| Designer         |               | Drawing by      |            | Proportion     | 1:1          | Product Number |          |
| Technology       |               | Auditor         |            | View           |              | Product Name   | 4-2026-G |
| Approval         |               | Date            | 2018.07.11 | Page           | Total_Page_  |                |          |