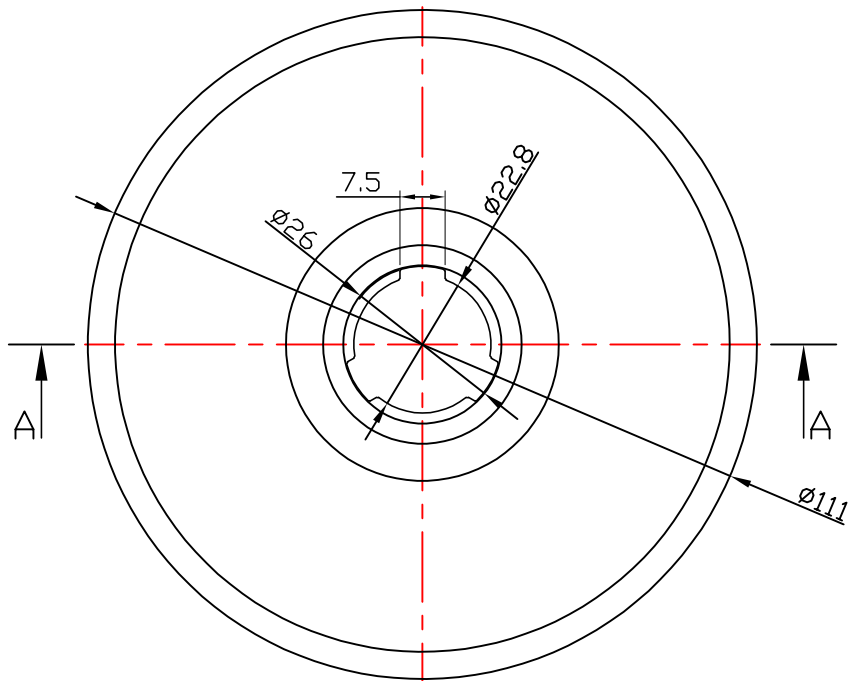
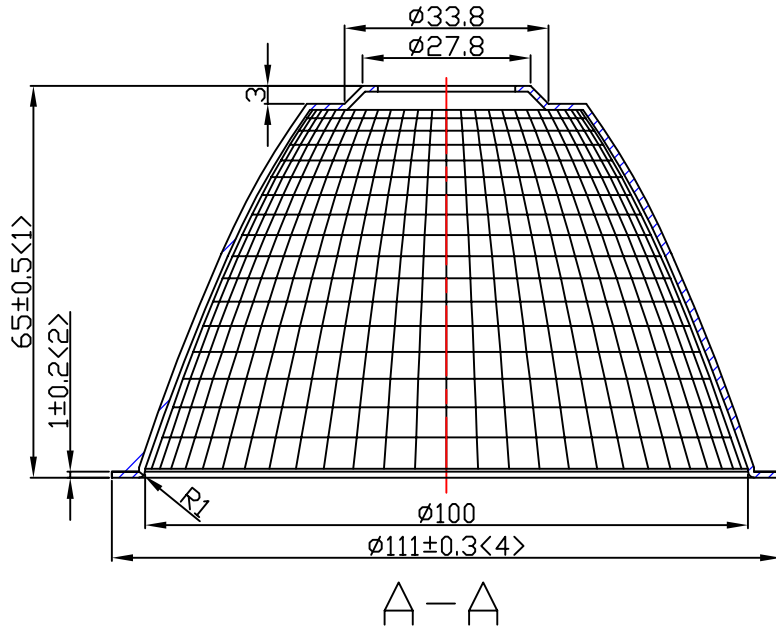


table for unmentioned tolerance in the drawing (unit: mm)			punch angle tolerance in the drawing (unit:degree)		
0-5	5-30	30-120	0-10	10-50	50-120
±0.15	±0.2	±0.5	±1°	±0.5°	±0.3°
120-250	250-400	400-700	120-250	250-360	360 above
±0.8	±1.5	±2	±0.2°	±0.166°	±0.083°



Light Source	GE SM3000 LES19
PlasticHolder	
Metal Adaptor	92.76.233.00
Design Angle	13° ±3°
Measured Angle	
Efficiency	

Material:T=1.0
1090AL

Nata[®]
NATA Lighting Co.,Ltd

Mark	Amended Times	Amended Content		Signature	Amended Date	Customer Item	
Controll Version	AO	Design Version	KO	Client Version		Customer Code	NT
Designer		Drawing by		Proportion	1:1	Product Number	
Technology		Auditor		View		Product Name	4-1761-E
Approval		Date	2014.04.26	Page	Total_Page_		