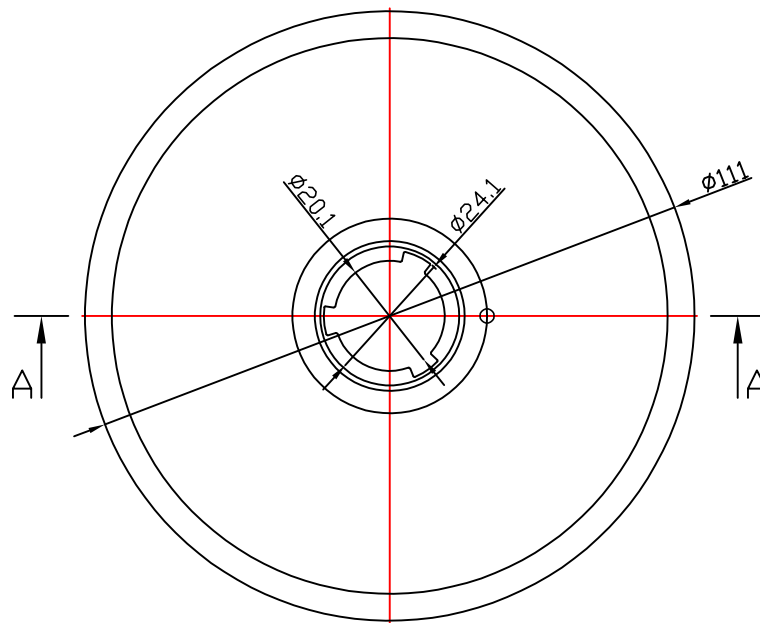
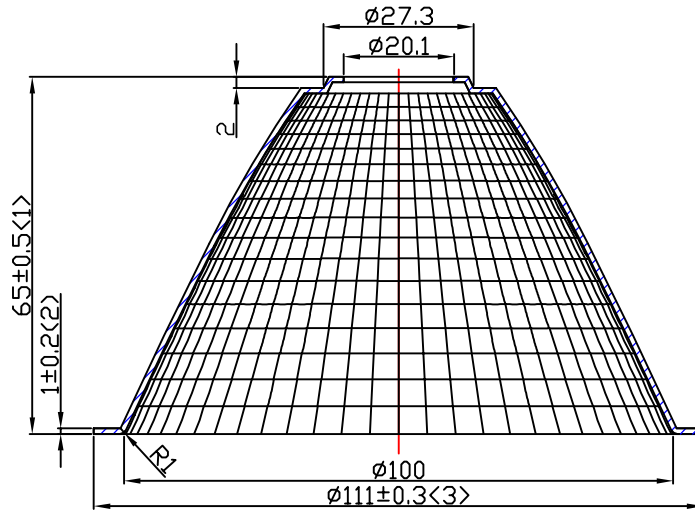


table for unmentioned tolerance in the drawing (unit: mm)			punch angle tolerance in the drawing (unit:degree)		
0-5	5-30	30-120	0-10	10-50	50-120
±0.15	±0.2	±0.5	±1°	±0.5°	±0.3°
120-250	250-400	400-700	120-250	250-360	360 above
±0.8	±1.5	±2	±0.2°	±0.166°	±0.083°



Light Source	Bridgelux Vero 13
PlasticHolder	
Metal Adaptor	92.76.263.00
Design Angle	$24^\circ \pm 3^\circ$
Measured Angle	$21.5^\circ$
Efficiency	

				Material: T=1.0 1090AL				<b>Nata<sup>®</sup></b> <b>NATA Lighting Co.,Ltd</b>			
								Customer Item			
								Customer Code		NT	
								Product Number			
								Product Name		4-1731-E	
Mark	Amended Times	Amended Content		Signature	Amended Date						
Controll Version	AO	Design Version	KO	Client Version							
Designer		Drawing by		Proportion	1:1						
Technology		Auditor		View							
Approval		Date	2014.08.18	Page	Total	Page					