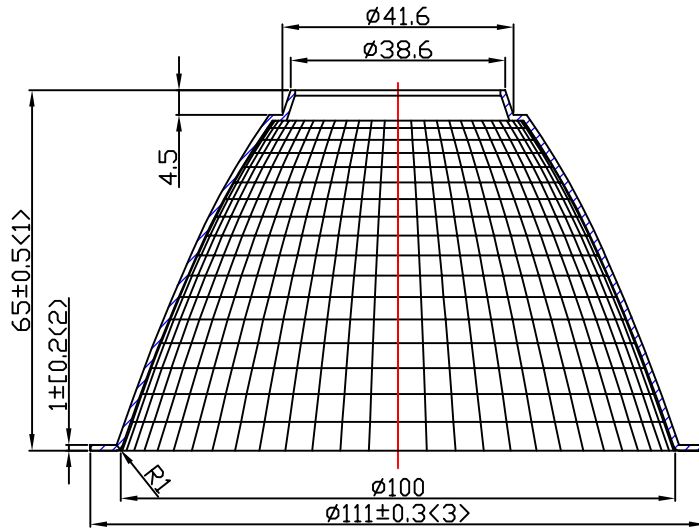
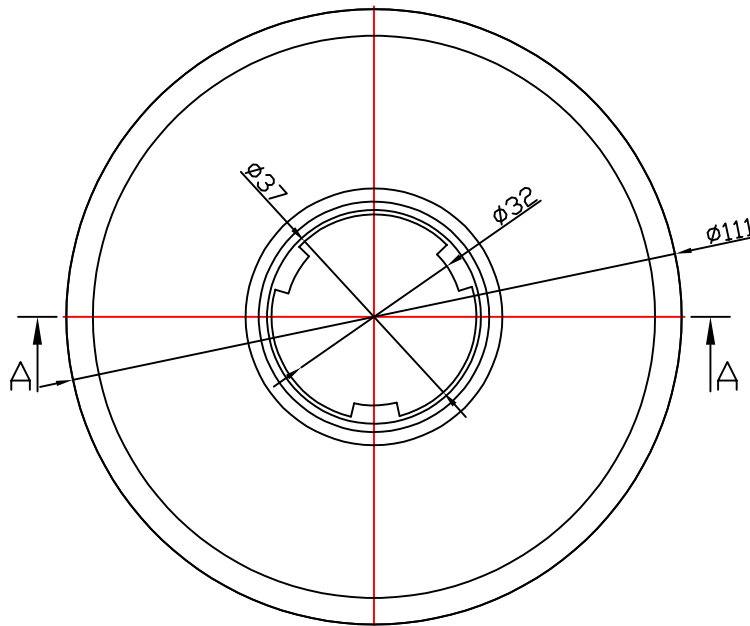


table for unmentioned tolerance in the drawing (unit: mm)			punch angle tolerance in the drawing (unit:degree)		
0-5	5-30	30-120	0-10	10-50	50-120
±0.15	±0.2	±0.5	±1°	±0.5°	±0.3°
120-250	250-400	400-700	120-250	250-360	360 above
±0.8	±1.5	±2	±0.2°	±0.166°	±0.083°



A-A



Light Source	Bridgelux Vero 29
PlasticHolder	
Metal Adaptor	92.76.227.00
Design Angle	24° ± 3°
Measured Angle	24.9°
Efficiency	

				Material: T=1.0 1090AL				Nata [®] NATA Lighting Co.,Ltd			
Mark	Amended Times	Amended Content		Signature	Amended Date		Customer Item				
Controll Version	AO	Design Version	KO	Client Version	1:1		Customer Code		NT		
Designer	Drawing by		Auditor		View	⊕		Product Number			
Technology	Date		2018.1.26		Page	Total Page		Product Name		4-1664-E	
Approval											