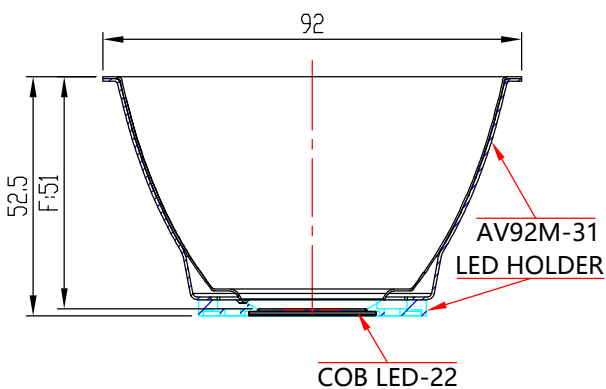


Light Source	Bridgelux V22
Design Angle	22°±3° (N)
LED Holder	PI: 99.02.73.207
	BJB47.360.2100

OPTICAL ASSEMBLY DIAGRAM



- 技术要求:
1. "*"标记为重点控制尺寸。
 2. 未注公差按《未注尺寸公差表》。
 3. 产品未注圆角与拔模斜度按3D。
 4. 产品外观按《N-SIP-QA-04 铝反光杯检验标准》。

PRODUCT BOM				
NO.	PRODUCT NAME	PRODUCT CODE	QTY	MATERIAL/FINISH
①	3-2879-L4	94.03.2879.003	1	T=0.4mm High reflectivity aluminum(Mirror surface)
②	3-3007-A2	94.03.3007.001	1	T=0.6mm 1060AL/

				Nata [®]		版本 VERSIONS V1.0															
				DIMENSION TOLERANCE TABLE (UNLESS OTHERWISE STATED) 未注尺寸公差表		产品编码 PRODUCT CODE															
				<table border="1"> <tr> <td>> 0-5</td> <td>> 5-30</td> <td>> 30-90</td> <td>> 90-150</td> <td>> 150-250</td> <td>> 250-400</td> <td>> 400-700</td> </tr> <tr> <td>±0.15</td> <td>±0.2</td> <td>±0.4</td> <td>±0.5</td> <td>±0.8</td> <td>±1.5</td> <td>±2</td> </tr> </table>		> 0-5	> 5-30	> 30-90	> 90-150	> 150-250	> 250-400	> 400-700	±0.15	±0.2	±0.4	±0.5	±0.8	±1.5	±2	91.03.2995.001	
> 0-5	> 5-30	> 30-90	> 90-150	> 150-250	> 250-400	> 400-700															
±0.15	±0.2	±0.4	±0.5	±0.8	±1.5	±2															
				PUNCH TOLERANCE TABLE (UNLESS OTHERWISE STATED) (ANGLE) 角度公差表 (单位: 度)		产品名称 PRODUCT NAME															
				<table border="1"> <tr> <td>> 0-10</td> <td>> 10-50</td> <td>> 50-120</td> <td>> 120-250</td> <td>> 250-360</td> </tr> <tr> <td>±1°</td> <td>±0.5°</td> <td>±0.3°</td> <td>±0.2°</td> <td>±0.166°</td> </tr> </table>		> 0-10	> 10-50	> 50-120	> 120-250	> 250-360	±1°	±0.5°	±0.3°	±0.2°	±0.166°	3-2995-LM2					
> 0-10	> 10-50	> 50-120	> 120-250	> 250-360																	
±1°	±0.5°	±0.3°	±0.2°	±0.166°																	
				部件产品图 COMPONENT PRODUCT DRAWING		客户 CUSTOMER															
				mm		NT															
				SHEET 1 OF 1		客户产品编号 CUSTOMER PRODUCT CODE															
				DATE: 04-4-2026		AV92M-A-31H49 反光杯-22D															
标记 MARK		更改内容 MODIFICATIONS		签名 SIGNED BY		日期 DATE															
处数 NO. OF MODIF.		制图 DRAWN BY		比例 SCALE		1:1															
设计 DESIGNER		审核 CHECKED BY		视角 1st ANGLE PROJECTION																	
工艺 TECHNICAN		日期 DATE (DD-MM-YYYY)		页码 PAGE																	
批准 APPROVED BY		04-4-2026		SHEET 1 OF 1																	