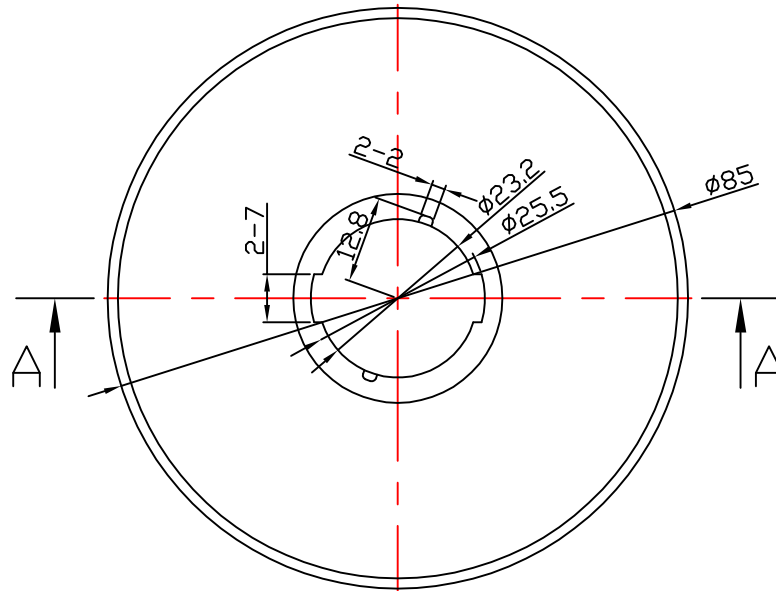
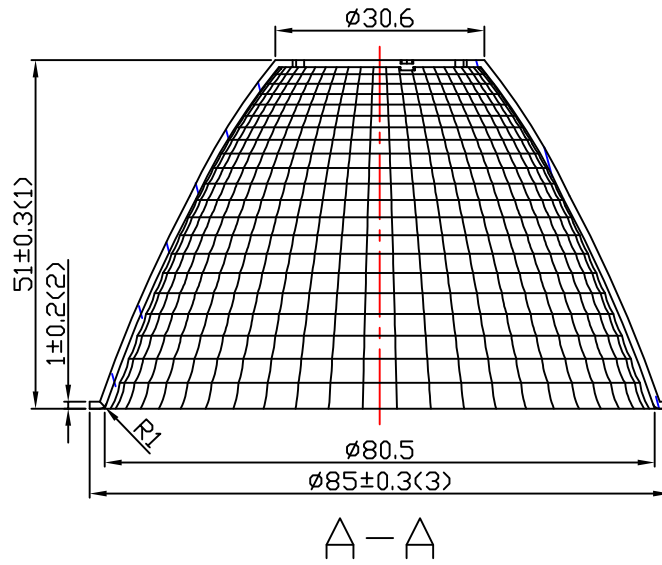
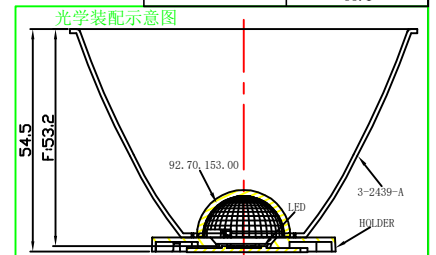


table for unmentioned tolerance in the drawing (unit: mm)			punch angle tolerance in the drawing (unit:degree)		
0-5	5-30	30-120	0-10	10-50	50-120
±0.15	±0.2	±0.5	±1°	±0.5°	±0.3°
120-250	250-400	400-700	120-250	250-360	360 above
±0.8	±1.5	±2	±0.2°	±0.166°	±0.083°



Light Source	PHILIPS SLM927571WL112024G
PlasticHolder	
Mxing dome	92.70.153.00
Metal Adaptor	
Design requirement	37° ±3°
Measured result	35.1°



Material:T=1.0 1090AL

**Nata**<sup>®</sup>  
**NATA Lighting Co.,Ltd**

Customer Item OD85mm调光反光杯37°

Customer Code NT

Product Number 91.03.2439.000

Product Name 3-2439-A

Mark	Amended Times	Amended Content	Signature	Amended Date
Control Version	AO	Design Version KO	Client Version	
Designer		Drawing by	Proportion	1:1
Technology		Auditor	View	
Approval		Date	Page	Total Page
		2019.11.18		