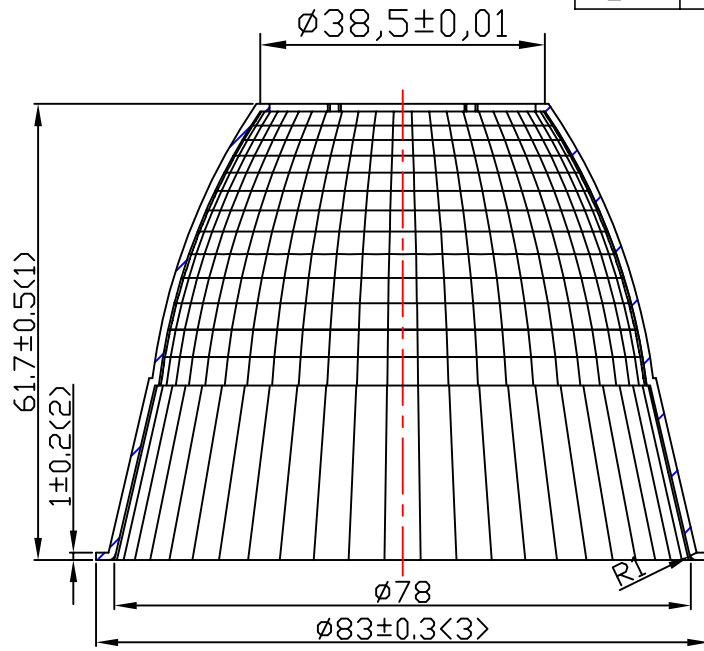
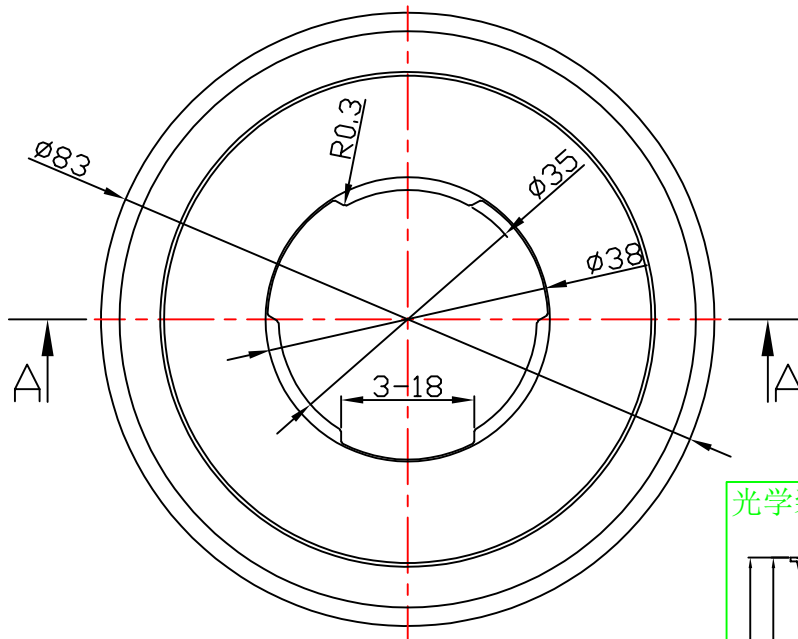


table for unmentioned tolerance in the drawing (unit: mm)			punch angle tolerance in the drawing (unit:degree)		
0-5	5-30	30-120	0-10	10-50	50-120
±0.15	±0.2	±0.5	±1°	±0.5°	±0.3°
120-250	250-400	400-700	120-250	250-360	360 above
±0.8	±1.5	±2	±0.2°	±0.166°	±0.083°

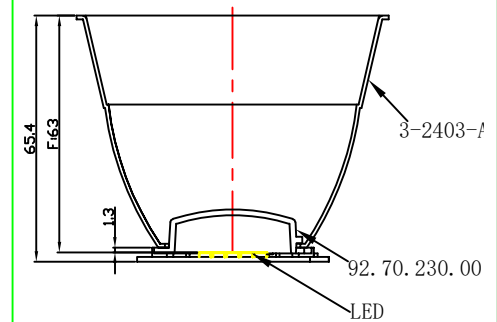


A-A



Light Source	LUMILEDS LUXEON 3030 2I
PlasticHolder	
Lens	92.70.230.0C
Design Angle	$55^\circ \pm 5^\circ$
Measured Angle	57°
Efficiency	

光学装配示意图



Material: 1.0 1090AL

Nata[®]
NATA Lighting Co.,Ltd

Mark	Amended Times	Amended Content	Signature	Amended Date	Customer Item	3寸10W筒灯-55度
Controll Version	AO	Design Version	Client Version	KO	Customer Code	NT
Designer		Drawing by	Proportion	1:1	Product Number	91.03.2403.000
Technology		Auditor	View		Product Name	3-2403-A
Approval		Date	Page	2019.07.09		
			Total Page			