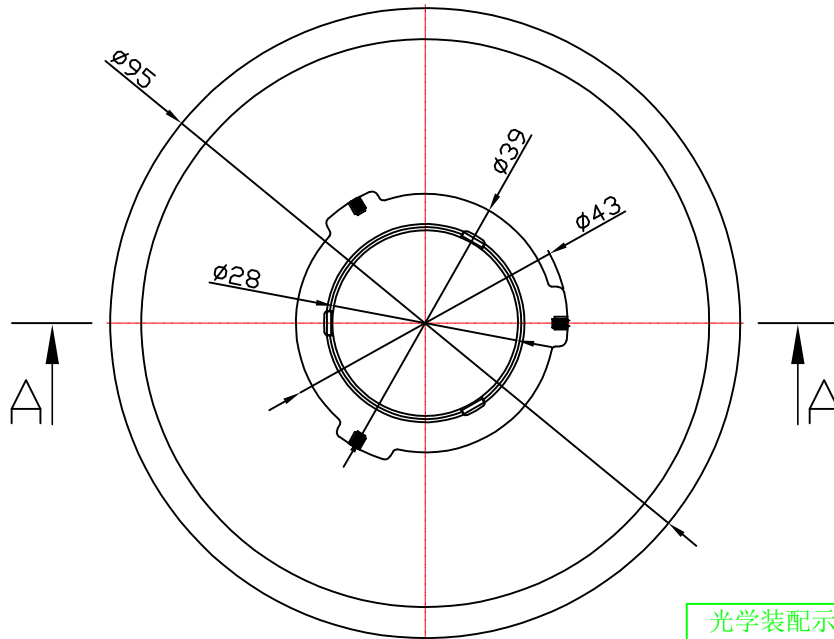
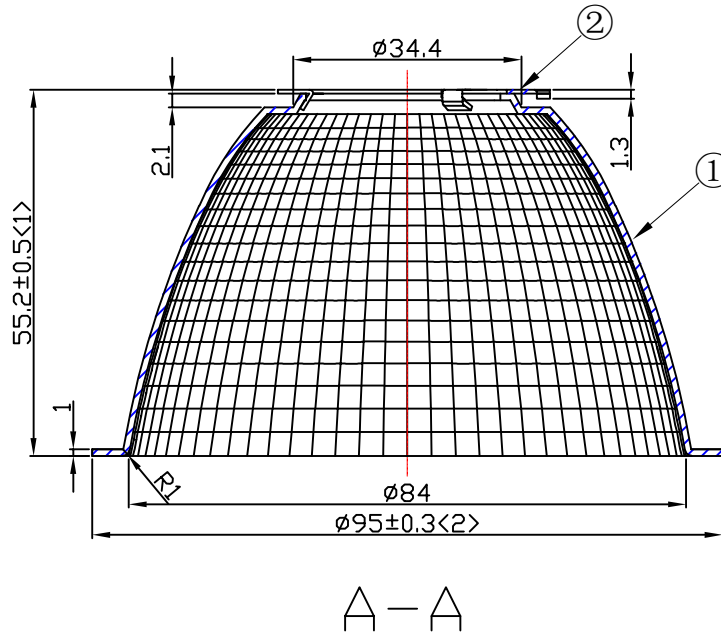


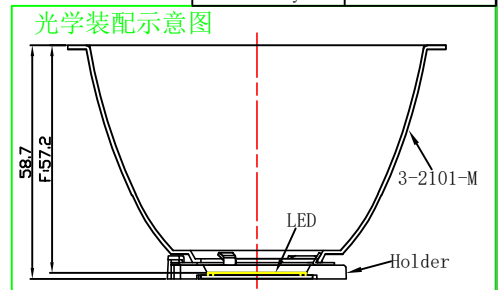
Product bill of material

Serial number	material name	Masterial number	NO.	Describe
①	3-2045-A2	94.03.2045.001	1	Material:T=1.0 1090AL
②	D43不锈钢卡环	97.76.372.00	1	Material:T=0.6 SUS304

table for unmentioned tolerance in the drawing (unit: mm)			punch angle tolerance in the drawing (unit:degree)		
0-5	5-30	30-120	0-10	10-50	50-120
±0.15	±0.2	±0.5	±1°	±0.5°	±0.3°
120-250	250-400	400-700	120-250	250-360	360 above
±0.8	±1.5	±2	±0.2°	±0.166°	±0.083°



Light Source	CITIZEN CLU044
Plastic Holder	92.70.136.00
Metal Adaptor	
Design Angle	32° ± 3°
Measured Angle	32.3°
Efficiency	



Mark	Amended Times	Amended Content		Signature	Amended Date
Controll Version	A0	Design Version	K0	Client Version	
Designer		Drawing by		Proportion	1:1
Technology		Auditor		View	
Approval		Date	2018.07.01	Page	Total Page

 <b>NATA Lighting Co.,Ltd</b>		Customer Item	
		Customer Code	NT
		Product Number	
		Product Name	3-2101-M