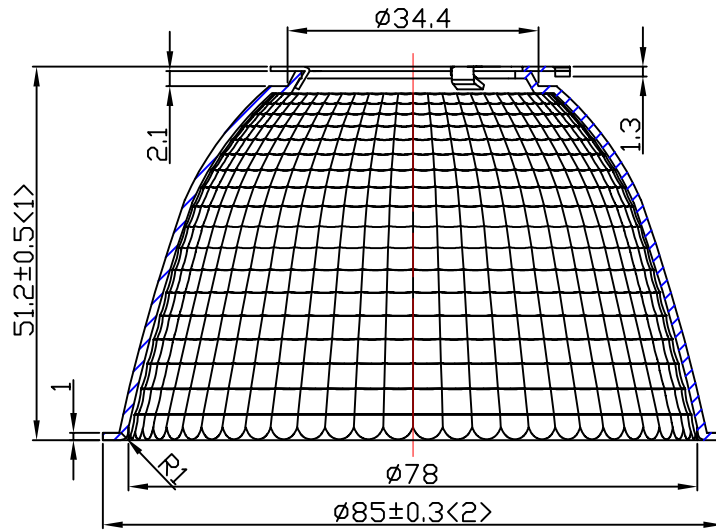
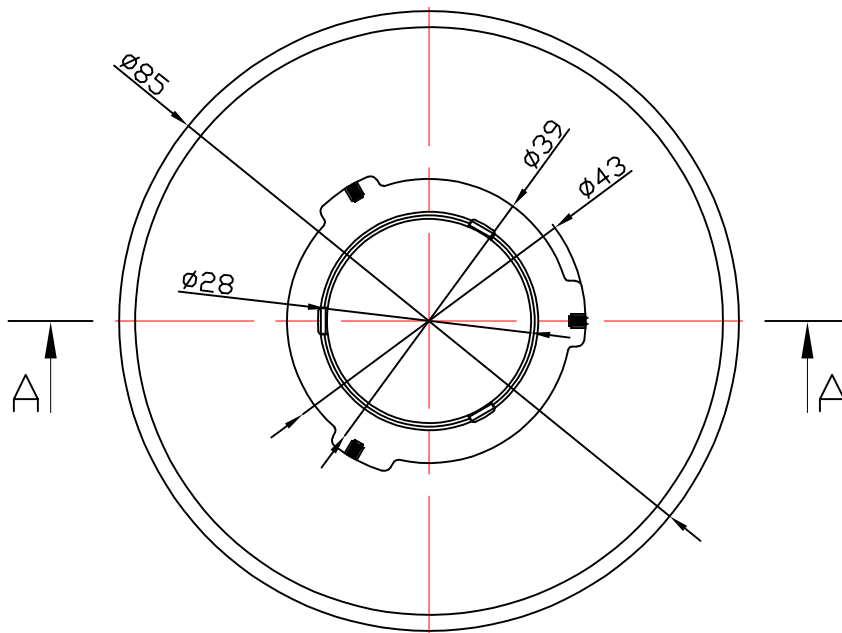


Product bill of material				
Serial number	material name	Material number	NO.	Describe
①	3-2036-A2	94.03.2036.001	1	Material:T=1.0 1090AL
②	D43不锈钢卡环	97.76.372.00	1	Material:T=0.6 SUS304

table for unmentioned tolerance in the drawing (unit: mm)			punch angle tolerance in the drawing (unit:degree)		
0-5	5-30	30-120	0-10	10-50	50-120
±0.15	±0.2	±0.5	±1°	±0.5°	±0.3°
120-250	250-400	400-700	120-250	250-360	360 above
±0.8	±1.5	±2	±0.2°	±0.166°	±0.083°

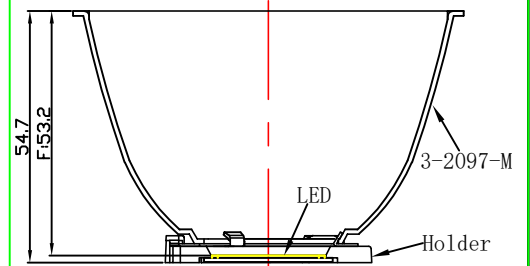


A-A



Light Source	CITIZEN CLU044
PlasticHolder	92.70.136.00
Metal Adaptor	
Design Angle	45° ±5°
Measured Angle	44.1°
Efficiency	

光学装配示意图



					 NATA Lighting Co.,Ltd		
							Customer Item
Mark	Amended Times	Amended Content		Signature	Amended Date	Customer Code	NT
Controll Version	AO	Design Version	K0	Client Version		Product Number	
Designer		Drawing by		Proportion	1:1	Product Name	3-2097-M
Technology		Auditor		View			
Approval		Date	2018.07.01	Page	Total Page		