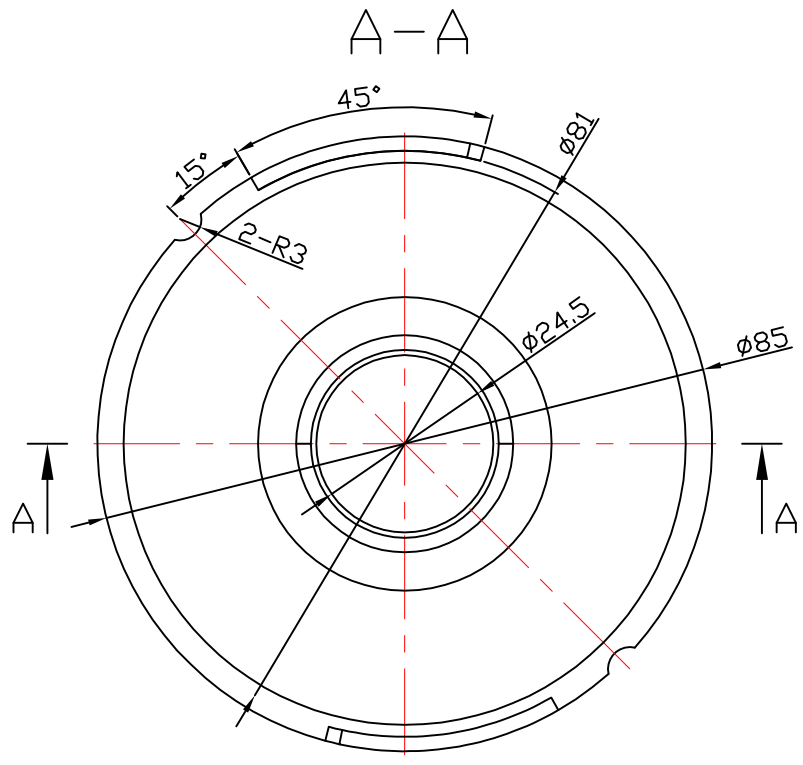
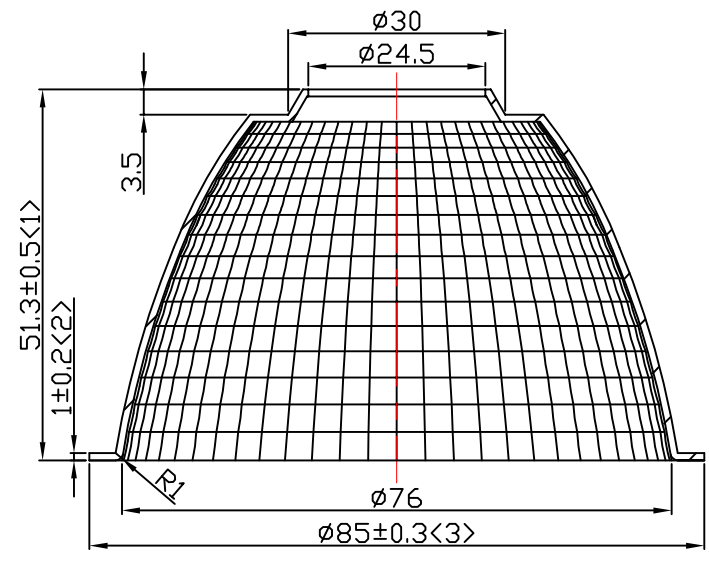


table for unmentioned tolerance in the drawing (unit: mm)			punch angle tolerance in the drawing (unit:degree)		
0-5	5-30	30-120	0-10	10-50	50-120
±0.15	±0.2	±0.5	±1°	±0.5°	±0.3°
120-250	250-400	400-700	120-250	250-360	360 above
±0.8	±1.5	±2	±0.2°	±0.166°	±0.083°



Light Source	PHILIPS SLM 1211 G6
PlasticHolder	
Metal Adaptor	
Design Angle	$39^\circ \pm 3^\circ$
Measured Angle	$36.4^\circ$
Efficiency	

Mark	Amended Times	Amended Content		Signature	Amended Date
Controll Version	A0	Design Version	K0	Client Version	
Designer		Drawing by		Proportion	1:1
Technology		Auditor		View	
Approval		Date	2017.06.30	Page	Total Page

Material:T=1.0 1090AL		<b>Nata</b> <sup>®</sup> <b>NATA Lighting Co.,Ltd</b>	
Customer Item		Customer Code	NT
Product Number		Product Name	3-2070-A