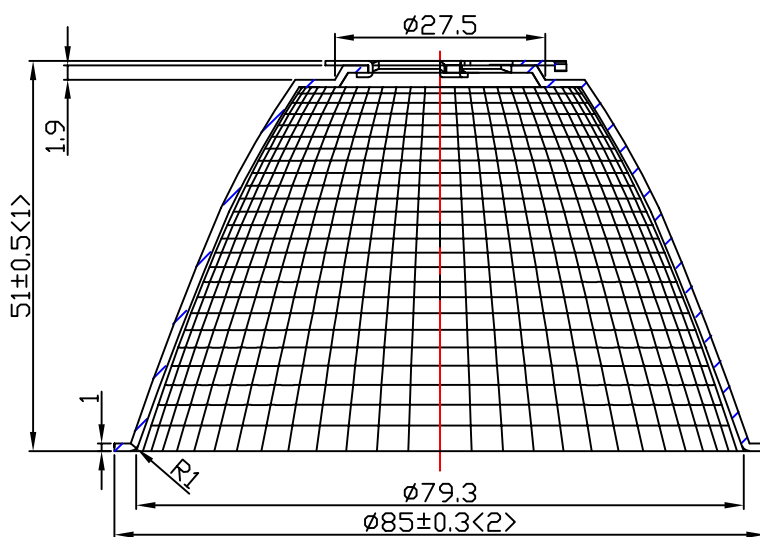


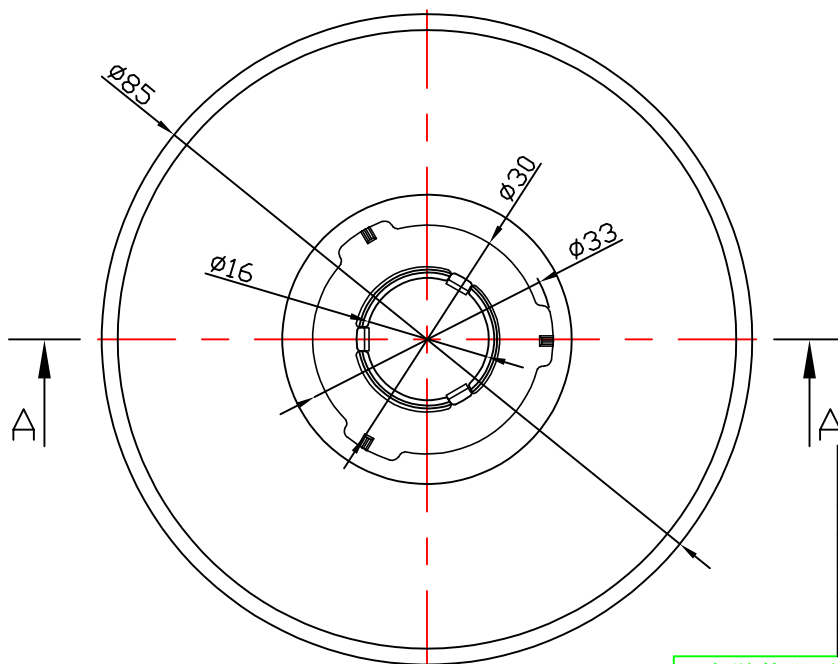
Product bill of material

Serial number	material name	Masterial number	NO.	Describe
①	3-2032-A3	94.02.2032.000	1	Material:T=1.0 1090AL
②	D33不锈钢卡环	97.76.367.00	1	Material:T=0.6 SUS304

table for unmentioned tolerance in the drawing (unit: mm)			punch angle tolerance in the drawing (unit:degree)		
0-5	5-30	30-120	0-10	10-50	50-120
±0.15	±0.2	±0.5	±1°	±0.5°	±0.3°
120-250	250-400	400-700	120-250	250-360	360 abov
±0.8	±1.5	±2	±0.2°	±0.166°	±0.083°

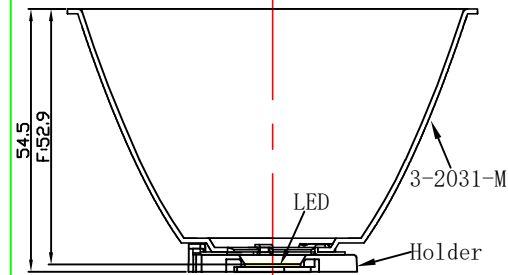


A-A



Light Source	CREE CXA1512
PlasticHolder	92.70.127.00
Metal Adaptar	
Design Angle	$11^\circ \pm 3^\circ$
Measured Angle	$11.4^\circ$
Efficiency	

光学装配示意图



Mark	Amended Times	Amended Content	Signature	Amended Date
Control Version	AO	Design Version KO	Client Version	
Designer		Drawing by	Proportion	1:1
Technology		Auditor	View	
Approval		Date	Page	Total Page

**Nata**<sup>®</sup>  
**NATA Lighting Co.,Ltd**

Customer Item	
Customer Code	NT
Product Number	
Product Name	3-2031-M