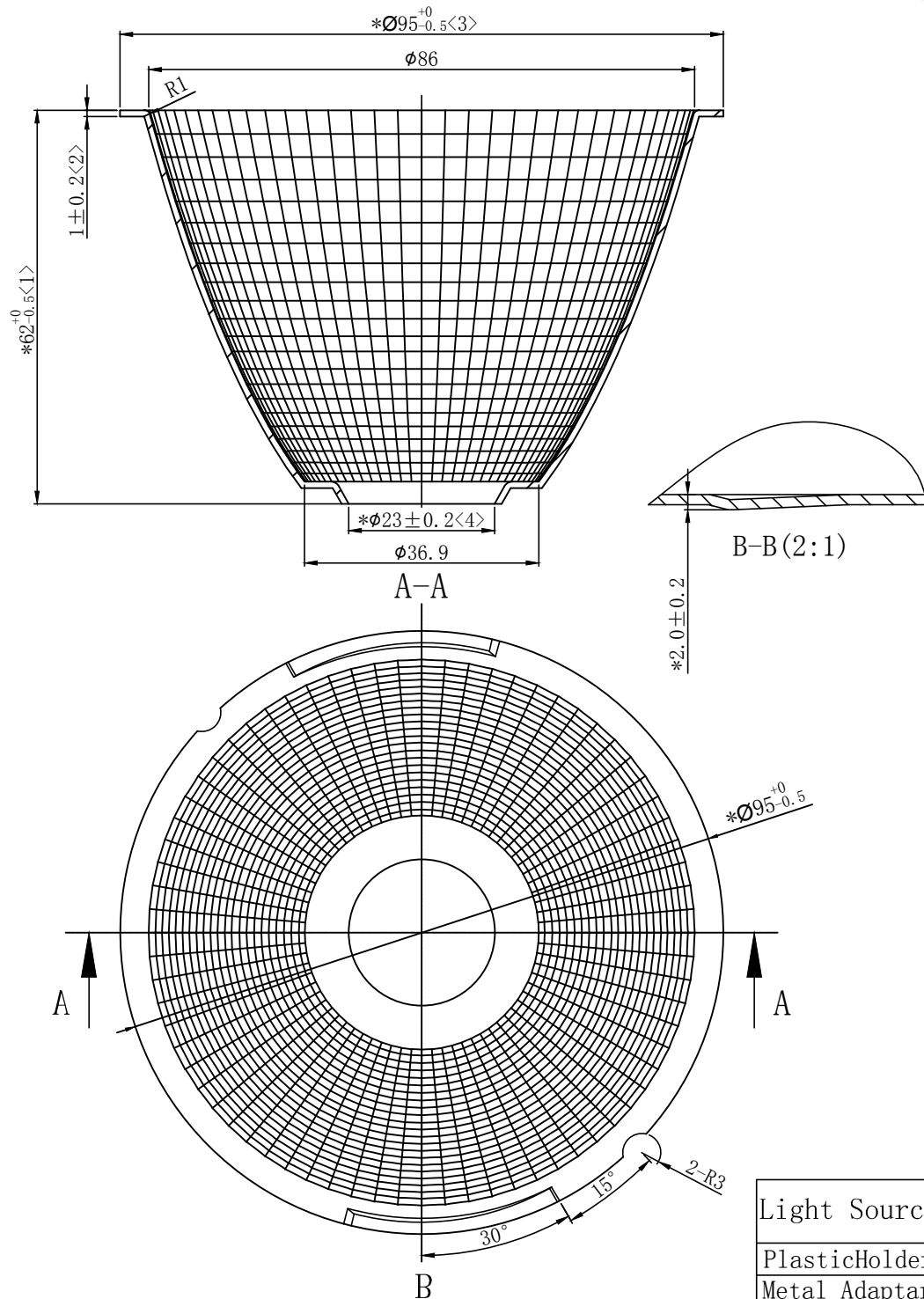


table for unmentioned tolerance in the drawing (unit: mm)			punch angle tolerance in the drawing (unit:degree)		
0-5	5-30	30-120	0-10	10-50	50-120
±0.15	±0.2	±0.5	±1°	±0.5°	±0.3°
120-250	250-400	400-700	120-250	250-360	360 above
±0.8	±1.5	±2	±0.2°	±0.166°	±0.083°

"()" Important size



Light Source	LUMILEDS LUXEON CoB 1208
Plastic Holder	99.02.73.181
Metal Adaptor	
Design Angle	15° ±3°
Measured Angle	17°

				Material:T=1.0 1090AL				Nata ® Lighting Co., Ltd			
Mark	Amended Times	Amended Content		Signature		Amended Date		Customer Item			
Controll Version	A0	Design Version	K0	Client Version	1:1			Customer Code	NT		
Designer	Drawing by		Proportion		View			Product Number	91.03.1934.000		
Technology	Auditor		View		Total_Page_			Product Name	3-1934-E		
Approval	Date	2018.11.05	Page								