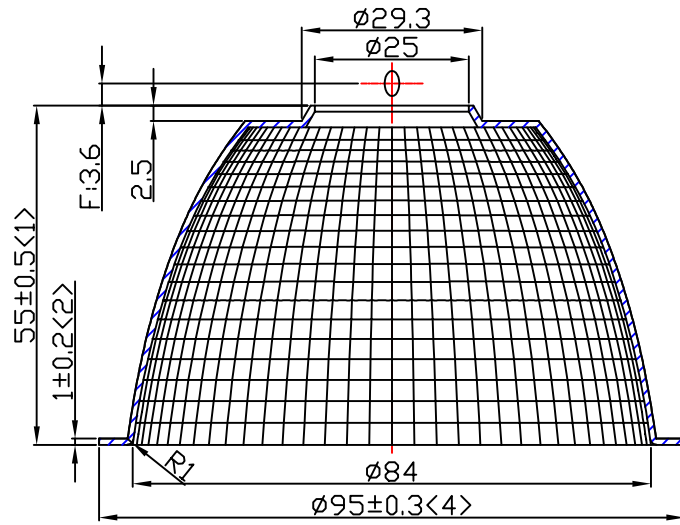
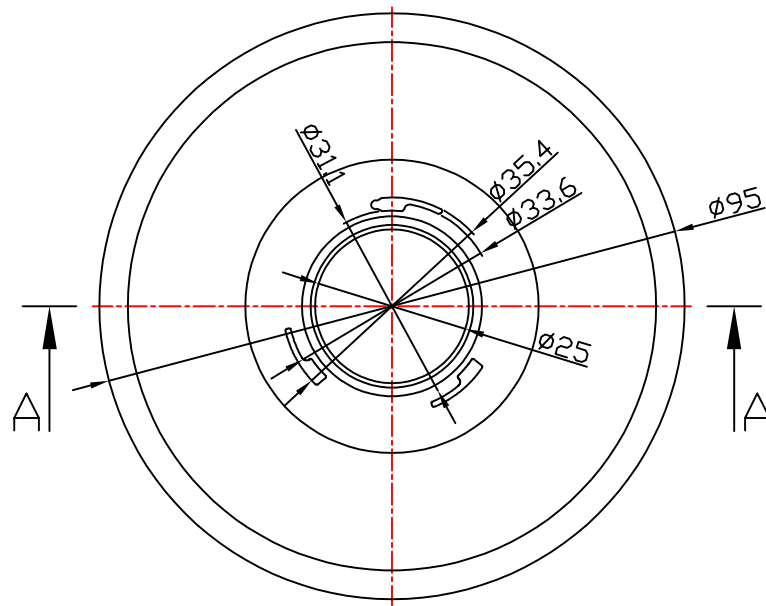


| table for unmentioned tolerance in the drawing (unit: mm) | | | punch angle tolerance in the drawing (unit:degree) | | |
|---|---------|---------|--|---------|-----------|
| 0-5 | 5-30 | 30-120 | 0-10 | 10-50 | 50-120 |
| ±0.15 | ±0.2 | ±0.5 | ±1° | ±0.5° | ±0.3° |
| 120-250 | 250-400 | 400-700 | 120-250 | 250-360 | 360 above |
| ±0.8 | ±1.5 | ±2 | ±0.2° | ±0.166° | ±0.083° |



A-A



| | |
|----------------|--------------------|
| Light Source | CITIZEN CLC 251 |
| Plastic Holder | LMOP009-3225DH |
| Metal Adaptor | 92.76.340.00 |
| Design Angle | 40° ±5° |
| Measured Angle | 39.1° |
| Efficiency | |

Material:T=1.0
1090AL

Nata[®]
NATA Lighting Co.,Ltd

| | | | | | | | |
|-----------------|---------------|-----------------|--------------|----------------|--------------|----------------|----------|
| Mark | Amended Times | Amended Content | | Signature | Amended Date | Customer Item | |
| Control Version | A0 | Design Version | K0 | Client Version | | Customer Code | NT |
| Designer | | Drawing by | | Proportion | 1:1 | Product Number | |
| Technology | | Auditor | | View | | Product Name | 3-1925-E |
| Approval | | Date | 2016. 11. 20 | Page | Total Page | | |